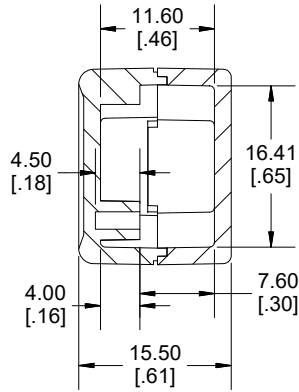
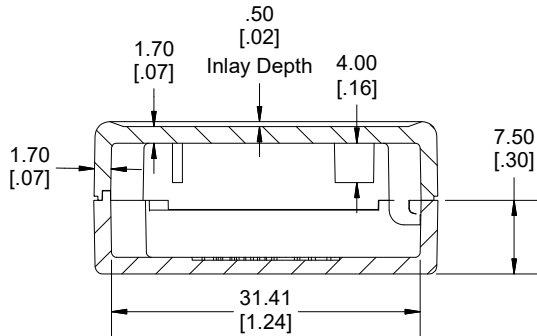


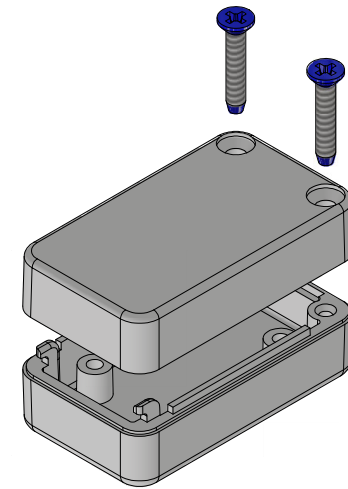
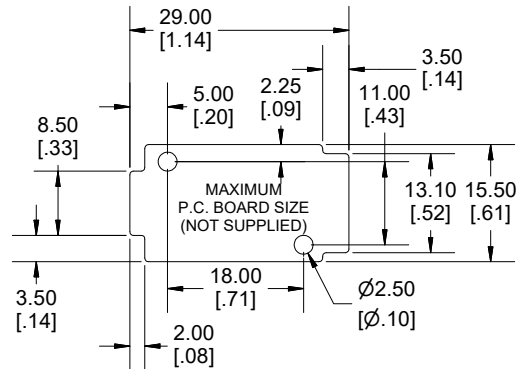
TOP VIEW



SECTION A-A



SECTION B-B



Enclosures can be Factory Modified (Milling, Drilling, Printing etc.)  
 Contact Factory (modshop@hammfg.com) for quotes  
 Solid models of this enclosure available in .stp or .x\_t  
 (Part number and text placement/orientation on our products are subject to change,  
 we do not recommend using them as a locating reference for modification purposes)

**NOTE**

Purchased assembly includes box, lid, 2 cover screws.  
 Enclosure molded from general purpose ABS Plastic.  
 Other materials / colours available consult factory.

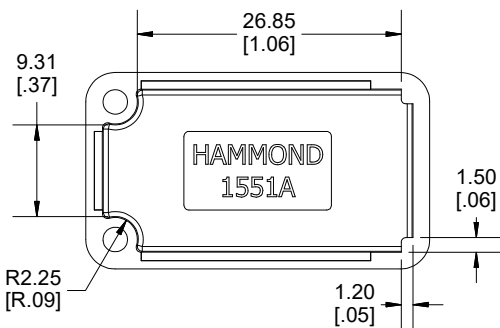
**Recommended Torque : (35-43) Ozf.in / (25-30) cN.m**

**PART NUMBERS**

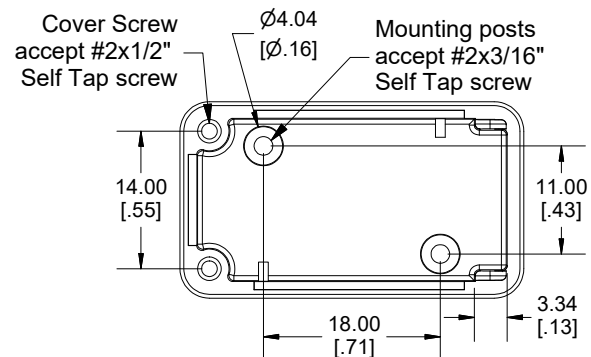
1551A Enclosure	
Black Enclosure - Ral 9011 - UL94 - HB	1551ABK
Gray Enclosure - RAL 7035 - UL94 - HB	1551AGY
Translucent Clear - UL94 - HB	1551ACLR
Translucent Smoke - UL94 - HB	1551ATSK
Translucent Red - UL94 - HB	1551ATRD

**ACCESSORIES**

P.C. Board Plastite Self Tapping Screw [#2 x 3/16" self-tapping (4.8mm)]	1553WTS100 (Pkg 100)
Plated Cover Screws #2 X 1/2" Self-tapping	1551USB50 (Pkg 50)
Black Cover Screws #2 X 1/2" Self-tapping	1551USB50BK (Pkg 50)



INSIDE BOTTOM



INSIDE TOP

Dimensions:  
 mm  
 [inches]



1551A

www.hammondmfg.com