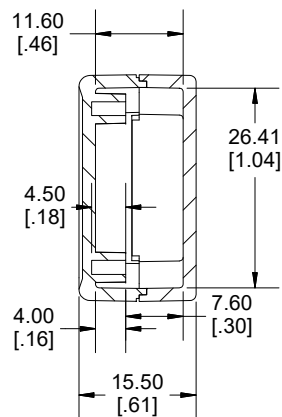
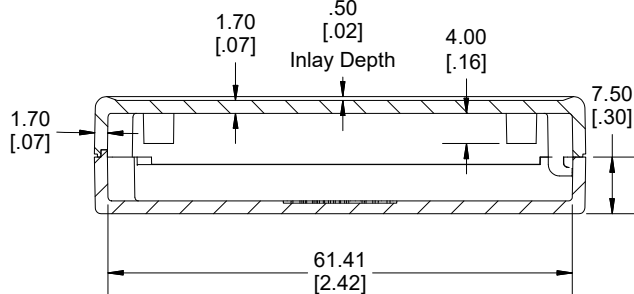
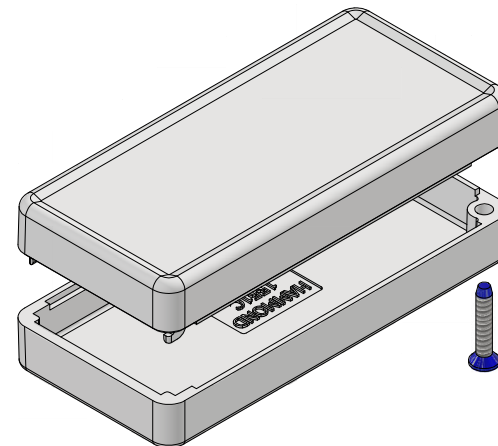


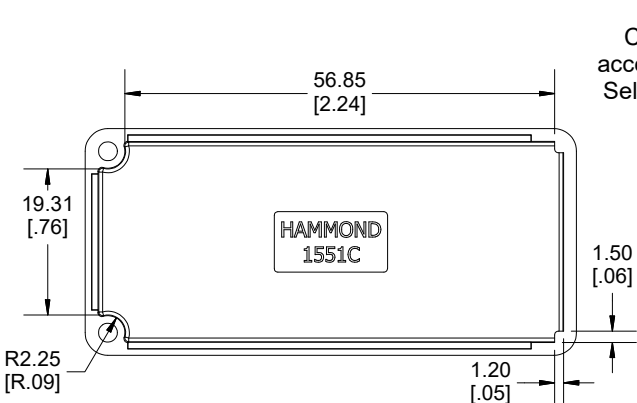
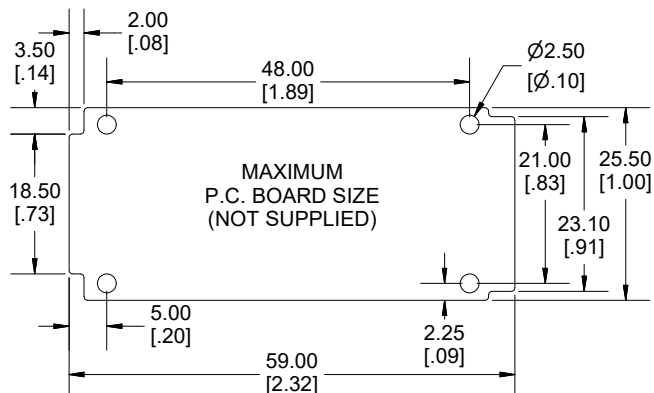
TOP VIEW



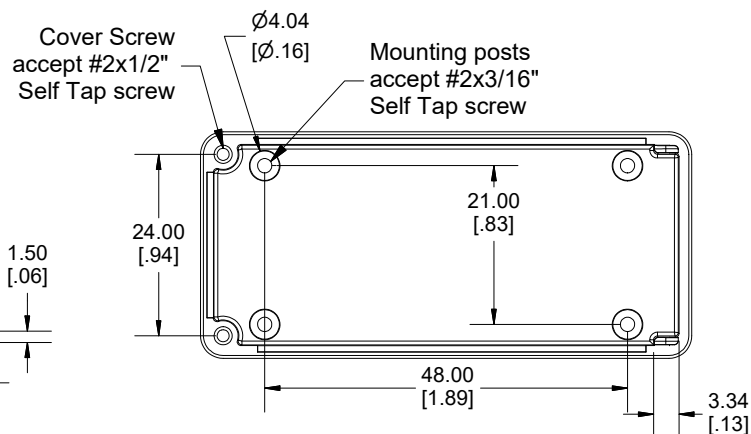
SECTION A-A



SECTION B-B



INSIDE BOTTOM



INSIDE TOP

Dimensions:  
mm  
[inches]

Enclosures can be Factory Modified (Milling, Drilling, Printing etc.)  
Contact Factory (modshop@hammfg.com) for quotes  
Solid models of this enclosure available in .stp or .x\_t  
(Part number and text placement/orientation on our products are subject to change,  
we do not recommend using them as a locating reference for modification purposes)

**NOTE**

Purchased assembly includes box, lid, 2 cover screws.  
Enclosure molded from general purpose ABS Plastic.  
Other materials / colours available consult factory.

**Recommended Torque : (35-43) Ozf.in / (25-30) cN.m**

**PART NUMBERS**

1551C Enclosure		
Black Enclosure - Ral 9011 - UL94 - HB		1551CBK
Gray Enclosure - RAL 7035 - UL94 - HB		1551CGY
Translucent Clear - UL94 - HB		1551CCLR
Translucent Smoke - UL94 - HB		1551CTSK
Translucent Red - UL94 - HB		1551CTRD

**ACCESSORIES**

P.C. Board Plastite Self Tapping Screw [#2 x 3/16" self-tapping (4.8mm)]	1553WTS100 (Pkg 100)
Plated Cover Screws #2 X 1/2" Self-tapping	1551USB50 (Pkg 50)
Black Cover Screws #2 X 1/2" Self-tapping	1551USB50BK (Pkg 50)



1551C

www.hammondmfg.com