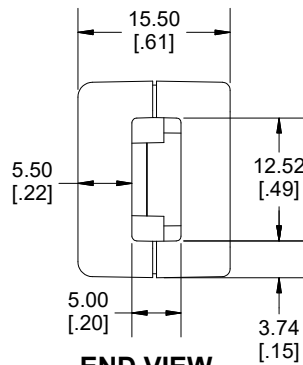
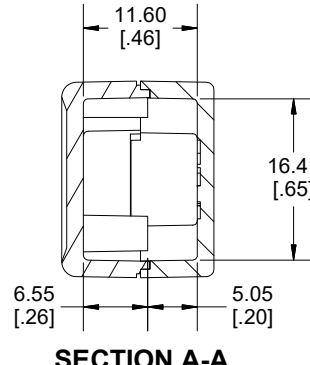


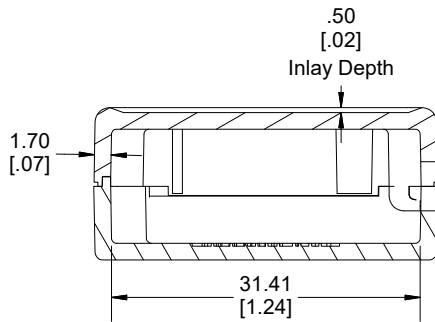
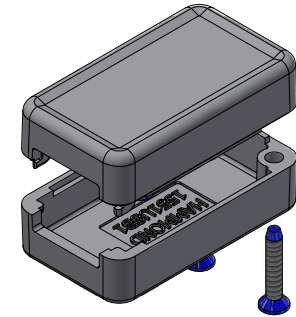
TOP VIEW



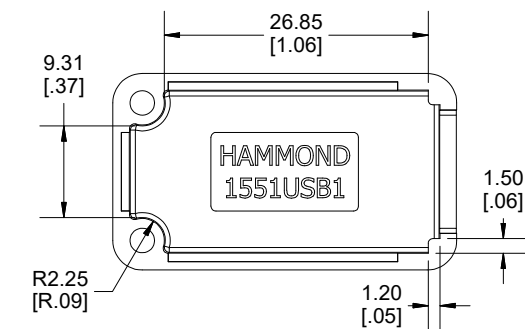
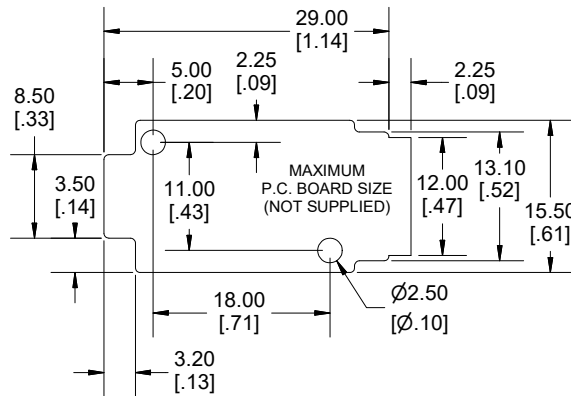
END VIEW



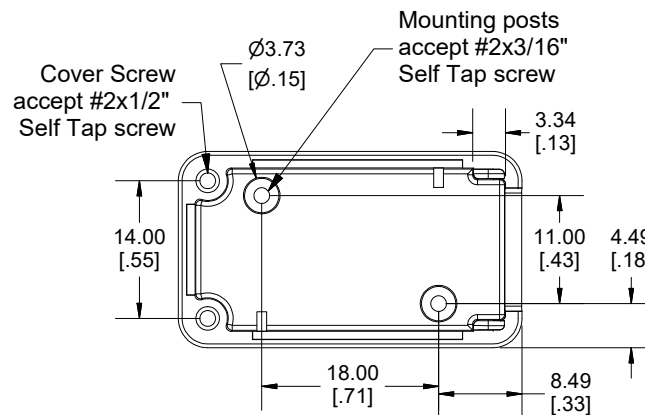
**SECTION A-A
END VIEW**



**SECTION B-B
SIDE VIEW**



INSIDE BOTTOM VIEW



INSIDE TOP VIEW

Dimensions:
mm
[inches]

Enclosures can be Factory Modified (Milling, Drilling, Printing etc.)
Contact Factory (modshop@hammfg.com) for quotes
Solid models of this enclosure available in .stp or .x_t
(Part number and text placement/orientation on our products are subject to change,
we do not recommend using them as a locating reference for modification purposes)

NOTE

Purchased assembly includes box, lid, 2 cover screws.
Enclosure molded from general purpose ABS Plastic.
Other materials / colours available consult factory.

Recommended Torque : (35-43) Ozf.in / (25-30) cN.m

PART NUMBERS

1551USB1 Enclosure	
Black Enclosure - Ral 9011 - UL94 - HB	1551USB1BK
Gray Enclosure - RAL 7035 - UL94 - HB	1551USB1GY
Translucent Clear - UL94 - HB	1551USB1CLR
Translucent Smoke - UL94 - HB	1551USB1TSK
Translucent Red - UL94 - HB	1551USB1TRD

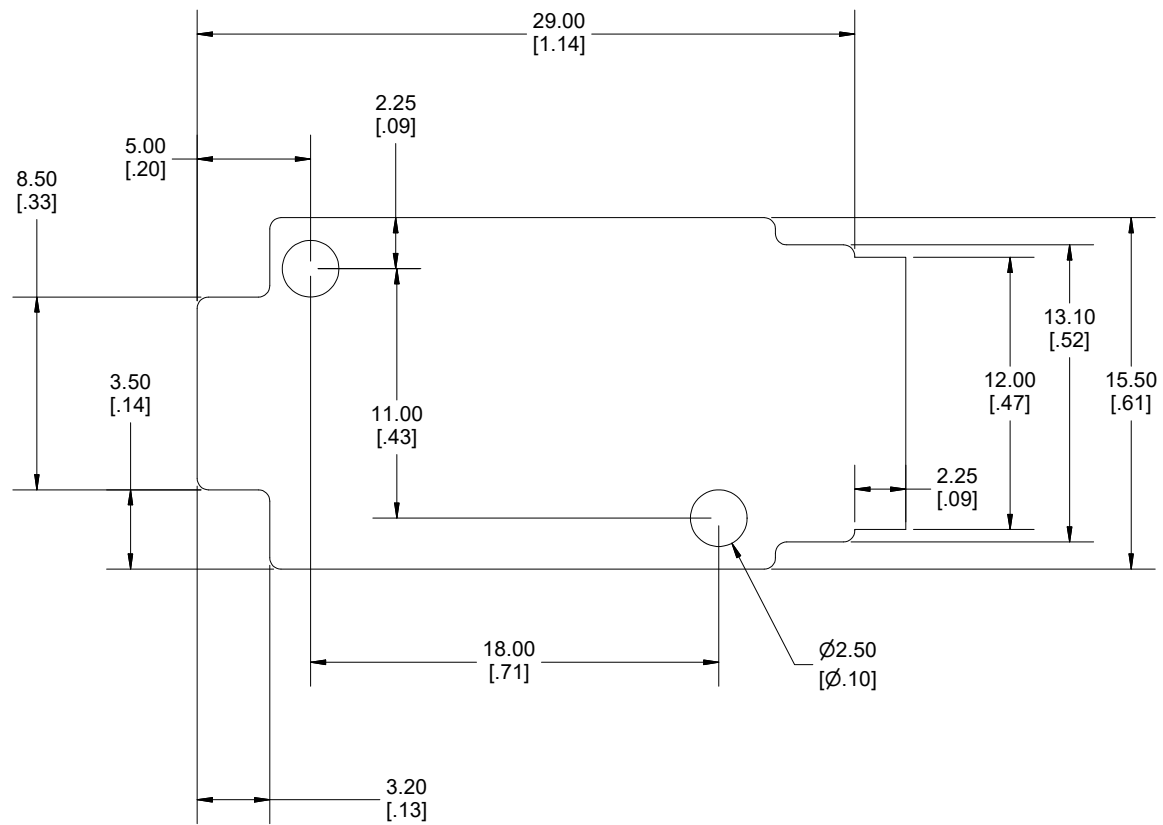
ACCESSORIES

P.C. Board Plastite Self Tapping Screw [#2 x 3/16" self-tapping (4.8mm)]	1553WTS100 (Pkg 100)
Plated Cover Screws #2 X 1/2" Self-tapping	1551USB50 (Pkg 50)
Black Cover Screws #2 X 1/2" Self-tapping	1551USB50BK (Pkg 50)



1551USB1

www.hammondmfg.com



Dimensions:
mm
[inches]

PCB
www.hammondmg.com