

Enclosures can be Factory Modified (Milling, Drilling, Printing etc.)
 Contact Factory (modshop@hammondmfg.com) for quotes
 Solid models of this enclosure available in STEP or IGES.
 (Part number and text placement/orientation on our products are subject to change,
 we do not recommend using them as a locating reference for modification purposes)

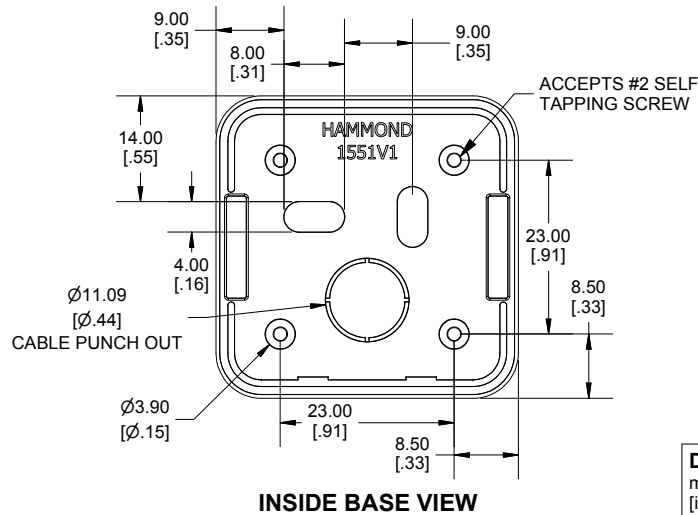
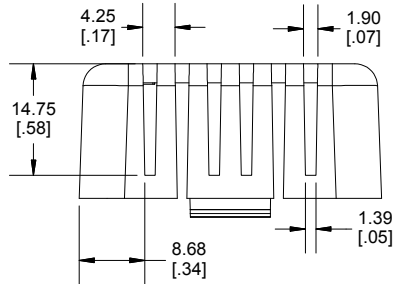
**SECTION B-B
END VIEW**

NOTE

Purchased assembly includes snap together base and cover. Enclosure molded from general purpose ABS Plastic.
 Other materials / colours available consult factory.

Recommended Torque : (35-43) Ozf.in / (25-30) cN.m

PART NUMBERS	
1551V1 Enclosure	
Black Enclosure - UL94 - HB	1551V1BK
Gray Enclosure - UL94 - HB	1551V1GY
White Enclosure - UL94 - HB	1551V1WH
ACCESSORIES	
P.C. Board Plastite Self Tapping Screw [#2 x 3/16" self-tapping (4.8mm)]	1553WTS100 (Pkg 100)



Dimensions:
 mm
 [inches]

**HAMMOND
MANUFACTURING**

1551V1

www.hammondmfg.com