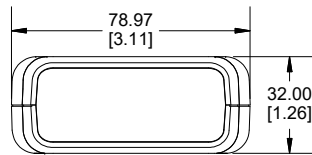
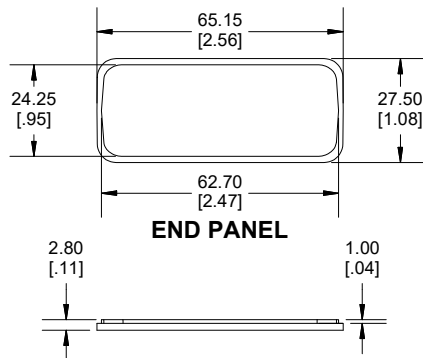


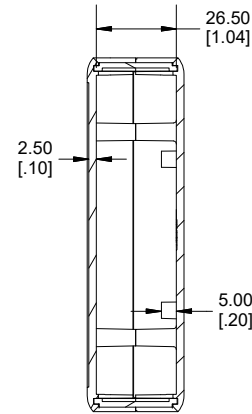
**TOP VIEW**



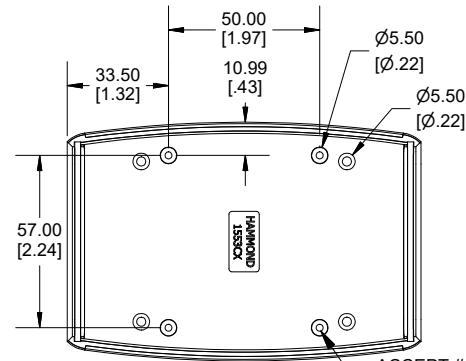
**END VIEW**



**END PANEL**

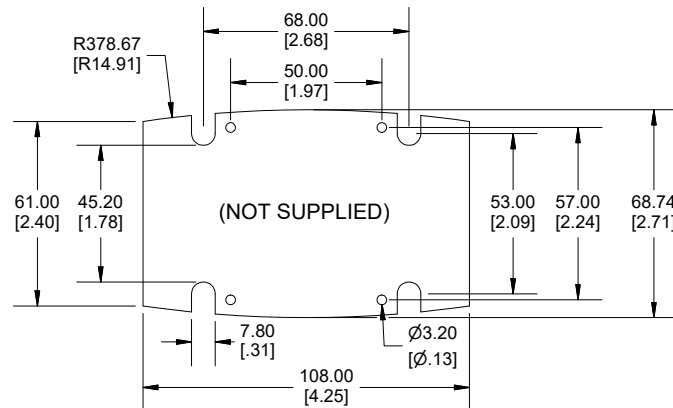


**SECTION A-A**



**INSIDE BOTTOM**

ACCEPT #4  
SELF-TAPPING SCREW



**MAXIMUM P.C.B. SIZE**

Dimensions:  
mm  
[inches]



Enclosures can be Factory Modified (Milling, Drilling, Printing etc.)  
Contact Factory ([modshop@hammfg.com](mailto:modshop@hammfg.com)) for quotes  
Solid models of this enclosure available in .stp or .x\_t  
(Part number and text placement/orientation on our products are subject to change,  
we do not recommend using them as a locating reference for modification purposes)

**NOTE**

Enclosure molded from GP ABS Plastic.

Purchased assembly includes Top, Bottom, 2 plastic end panels and 4 cover screws. (P.C. Board not supplied)

**Recommended Cover screw torque -- 2.5 lbf-in (30 cN-m)**

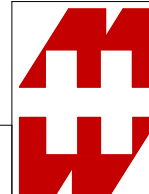
**PART NUMBER**

**1553 Regular Enclosure**

Black Enclosure/Grey Over-mold	1553CXBK
Grey Enclosure/Grey Over-mold	1553CXGY

**ACCESSORIES**

Oval Head Cover Screws Self-Tapping (Pkg 100) [Ø.22] [Ø.22]	SC1553C100 (Silver) SC1553C100BK (Black)
Belt or Pocket Clip	1599CLIP (Black) 1599CLIPGY (Grey)
P.C. Board Self Tapping Screw [Ø.13]	1593ATS50 (Pkg 50) 1593ATS100 (Pkg 100)



**HAMMOND  
MANUFACTURING®**

**1553CX**

[www.hammondmfg.com](http://www.hammondmfg.com)