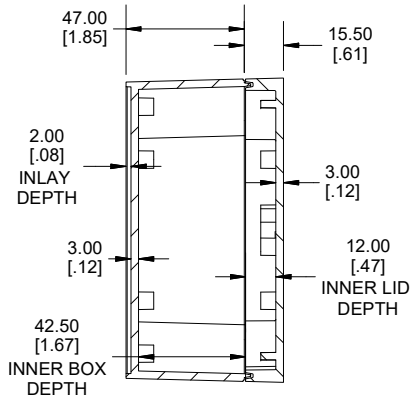
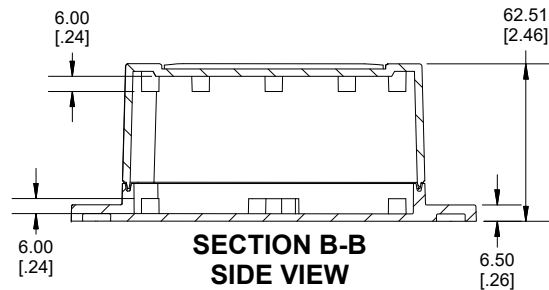
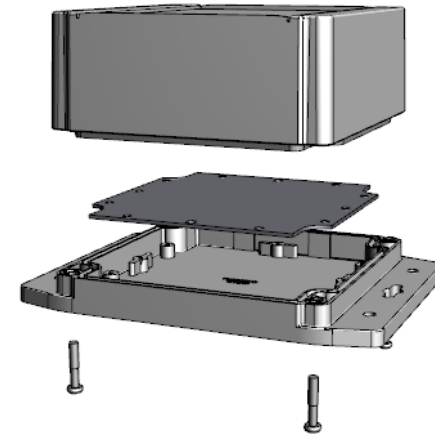


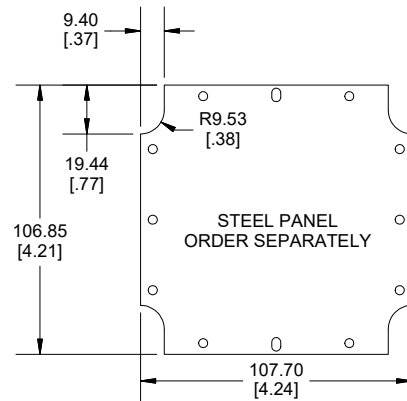
**ENCLOSURE ASSEMBLY TOP VIEW**



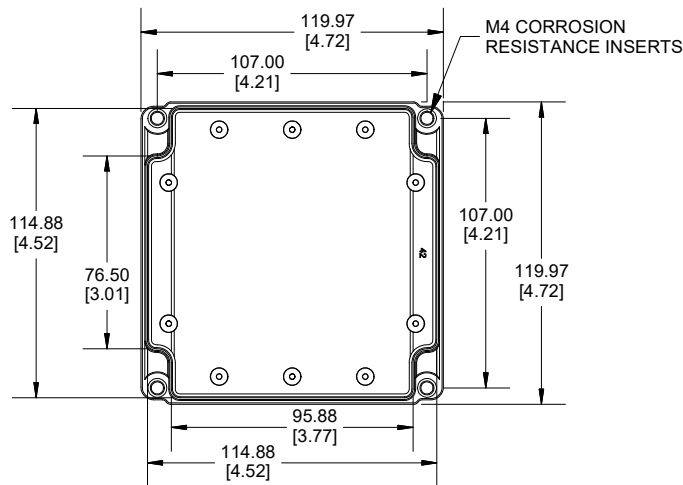
**SECTION A-A  
END VIEW**



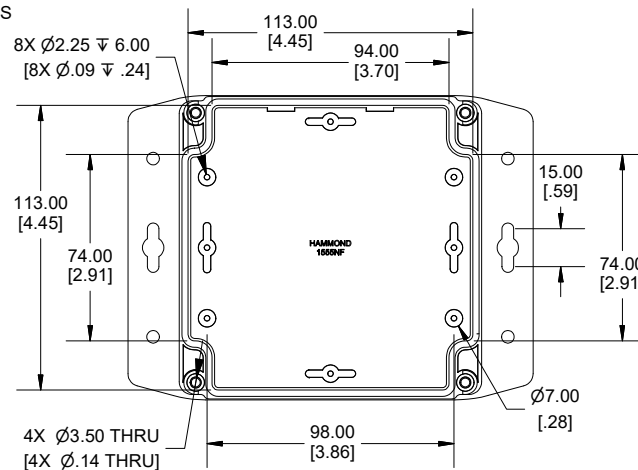
**SECTION B-B  
SIDE VIEW**



**STEEL PANEL  
ORDER SEPARATELY**



**INSIDE BOX VIEW**



**INSIDE LID VIEW**

Dimensions:  
mm  
[inches]

POLYCARBONATE  
VERSION ONLY  
UL LISTED  
FILE #E65324  
TYPE 4,4X,6,6P

Enclosures can be Factory Modified (Milling, Drilling, Printing etc.)  
Contact Factory (modshop@hammondmfg.com) for quotes  
Solid models of this enclosure available in .stp or .x\_t  
(Part number and text placement/orientation on our products are subject to change,  
we do not recommend using them as a locating reference for modification purposes)

**NOTE**

Purchased assembly includes styled box, flanged lid, 4 cover screws, and preformed silicone gasket.  
General Purpose ABS version is not UL approved. (Matl UL94 - HB)  
Polycarbonate version is UL 508 approved. (Matl UL94 - 5VA @ 3mm)

**Recommended Cover screw torque -- 2.5 lbf-in (30 cN-m)**

| 1555NF  |             |
|---|-------------|
| 1555NF Regular Enclosure  |             |
| General Purpose ABS RAL-7035  | 1555NF42GY  |
| Polycarbonate RAL-7035  | 1555N2F42GY |
| ACCESSORIES   |             |
| Steel Inner Panels  | 1555NFPL    |
| Silicone Pre-formed Gasket Black  | 1554NGASKET |
| Steel Panel / P.C. Board Self Tapping Screw<br>[#4 X 1/4" (6.4mm) Plated] | 1555TS100   |
| Stainless Steel Cover Screws<br>[M4-0.7 X 20mm] (Pkg 50)                  | SC576-50    |

**HAMMOND  
MANUFACTURING**  
**1555NF42**  
www.hammondmfg.com