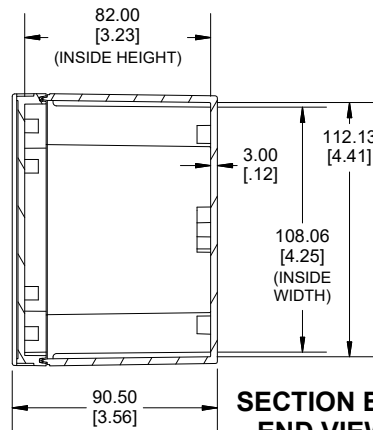
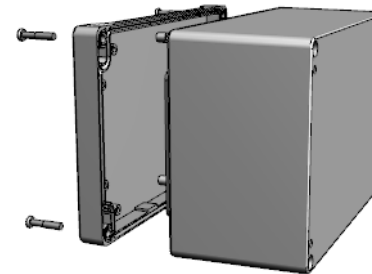


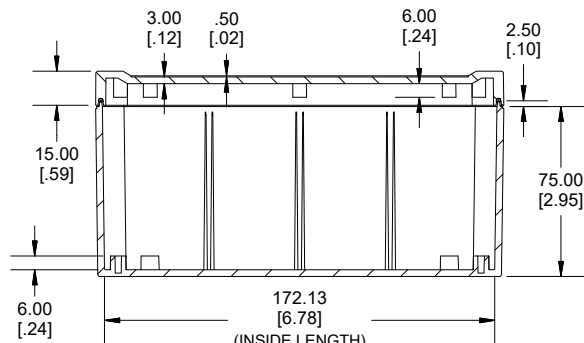
**TOP VIEW**



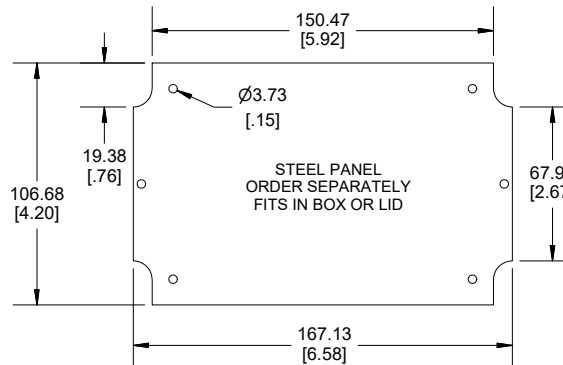
**SECTION B-B  
END VIEW**



POLYCARBONATE  
VERSION ONLY  
 US LISTED  
 FILE #E65324  
 TYPE 4,4X,6,6P



**SECTION A-A  
SIDE VIEW**

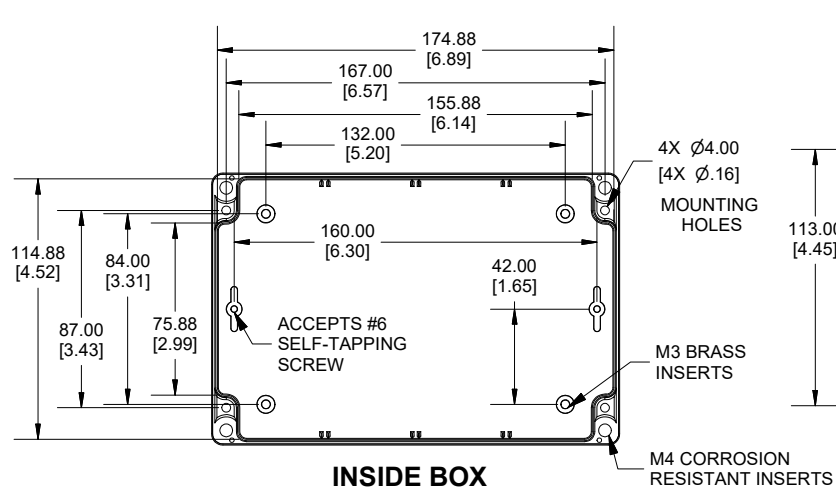


Enclosures can be Factory Modified (Milling, Drilling, Printing etc.)  
 Contact Factory ([modshop@hammfg.com](mailto:modshop@hammfg.com)) for quotes  
 Solid models of this enclosure available in .stp or .x\_t  
 (Part number and text placement/orientation on our products are subject to change, we do not recommend using them as a locating reference for modification purposes)

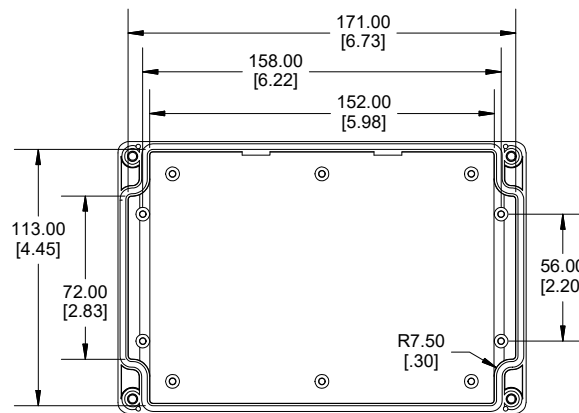
**NOTE**

4 cover screws, and preformed silicone gasket.  
 General Purpose ABS version is not UL approved. (Matl UL94 - HB)  
 Polycarbonate version is UL 508A approved. (Matl UL94 - 5VA @ 3mm)

**Recommended Cover screw torque -- 43-57 ozf-in (30-40 cN-m)**



**INSIDE BOX**



**INSIDE LID**

Dimensions:  
 mm  
 [inches]

1555T	
1555T Regular Enclosure	
General Purpose ABS RAL-7035	1555TGY
Polycarbonate RAL-7035	1555T2GY
ACCESSORIES	
Steel Inner Panels	1554HPL
Steel Panel / P.C. Board Screw [M3-0.5 x 8mm Plated] (Pkg 100)	1591MM100
Steel Panel / P.C. Board Self Tapping Screw [#6 X 1/4" (6.4mm) Plated] (Pkg 100)	1598ATS100
Stainless Steel Cover Screws [M4-0.7 X 20mm] (Pkg 50)	SC576-50
Silicone Pre-formed Gasket Black (Pkg 2)	1554HGASKET



**HAMMOND  
MANUFACTURING**

**1555T**

[www.hammondmfg.com](http://www.hammondmfg.com)