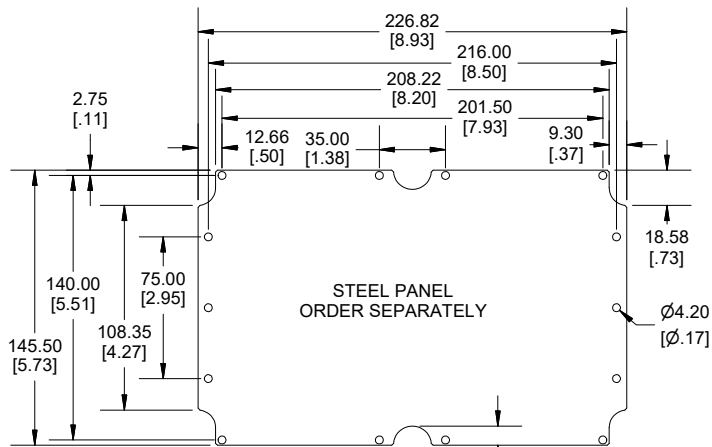
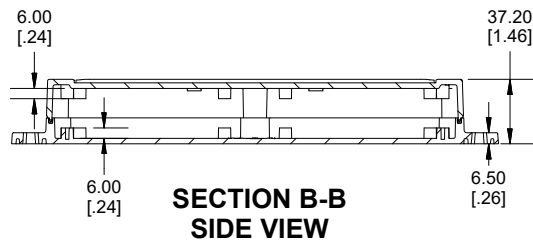
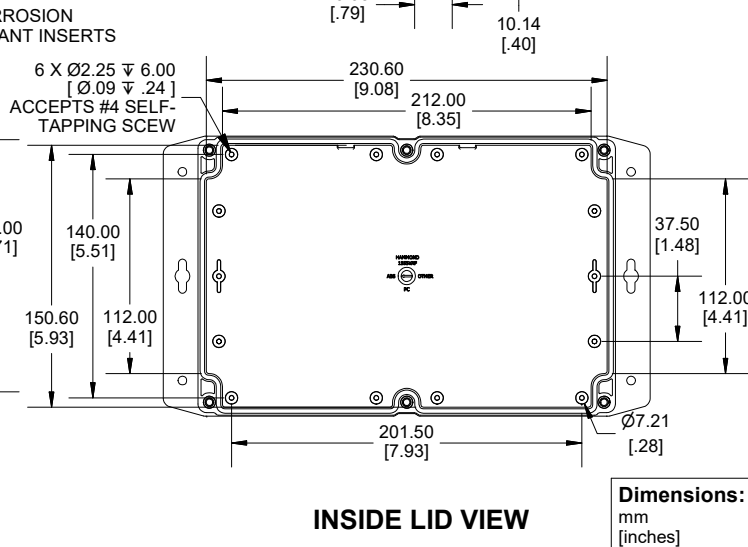
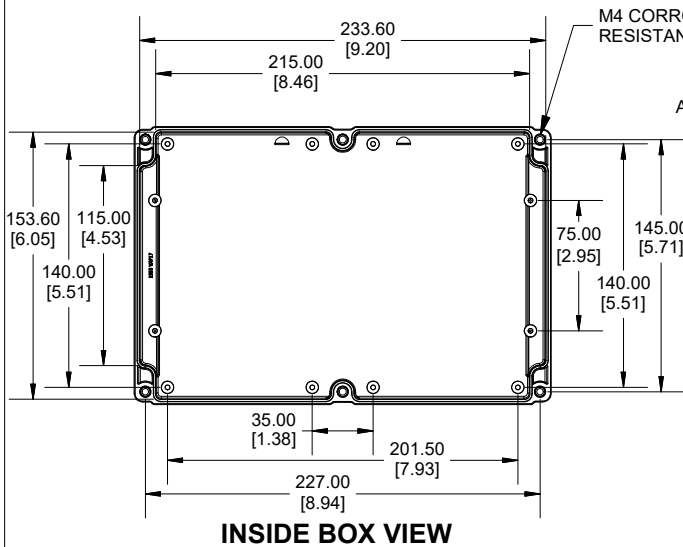


POLYCARBONATE
VERSION ONLY
UL LISTED
FILE #E65324
TYPE 4,4X,6,6P



Enclosures can be Factory Modified (Milling, Drilling, Printing etc.)
Contact Factory (modshop@hammfg.com) for quotes
Solid models of this enclosure available in .stp or .x_t
(Part number and text placement/orientation on our products are subject to change,
we do not recommend using them as a locating reference for modification purposes)

NOTE	
6 cover screws, and preformed silicone gasket.	
General Purpose ABS version is not UL approved. (Matl UL94 - HB)	
Polycarbonate version is UL 508A approved. (Matl UL94 - 5VA @ 3mm)	
Recommended Cover screw torque 60-100 cN-m [5.31-8.85 lbf-in]	



1555VAF	
1555VAF Regular Enclosure	
General Purpose ABS RAL-7035	1555VAF17GY
Polycarbonate RAL-7035	1555VA2F17GY
ACCESSORIES	
Steel Inner Panels	1554VAPL
Silicone Pre-formed Gasket Black (Pkg 2)	1554VAGASKET
Steel Panel / P.C. Board Self Tapping Screw [#4 X 1/4" (6.4mm) Plated]	1555TS100
Stainless Steel Cover Screws [M4-0.7 X20mm] (Pkg 50)	SC576-50

HAMMOND
1555VAF17
www.hammondmfg.com

Dimensions:
mm
[inches]