

POLYCARBONATE VERSION ONLY

UL US LISTED

FILE #E65324

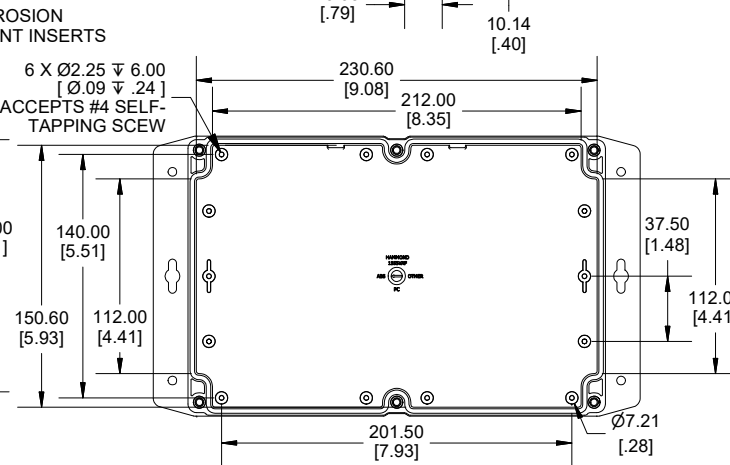
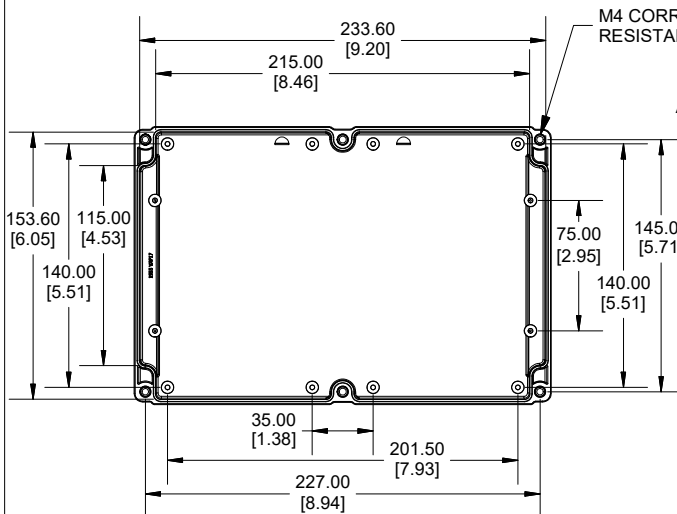
TYPE 4,4X,6,6P

Enclosures can be Factory Modified (Milling, Drilling, Printing etc.)
 Contact Factory (modshop@hammfg.com) for quotes
 Solid models of this enclosure available in .stp or .x_t
 (Part number and text placement/orientation on our products are subject to change, we do not recommend using them as a locating reference for modification purposes)

NOTE

Purchased assembly includes styled box, flanged lid, 6 cover screws, and preformed silicone gasket.
 General Purpose ABS version is not UL approved. (Matl UL94 - HB)
 Polycarbonate version is UL 508 approved. (Matl UL94 - 5VA @ 3mm)

Recommended Cover screw torque -- 2.5 lbf-in (30 cN-m)



Dimensions:
 mm
 [inches]

1555VAF	
1555VAF Regular Enclosure	
General Purpose ABS RAL-7035	1555VAF17GY
Polycarbonate RAL-7035	1555VA2F17GY
ACCESSORIES	
Steel Inner Panels	1554VAPL
Silicone Pre-formed Gasket Black (Pkg 2)	1554VAGASKET
Steel Panel / P.C. Board Self Tapping Screw [#4 X 1/4" (6.4mm) Plated]	1555TS100
Stainless Steel Cover Screws [M4-0.7 X 20mm] (Pkg 50)	SC576-50

HAMMOND MANUFACTURING.

1555VAF17

www.hammondmfg.com