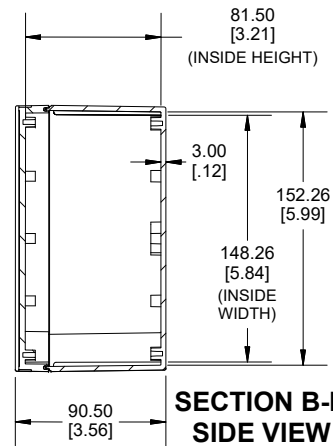
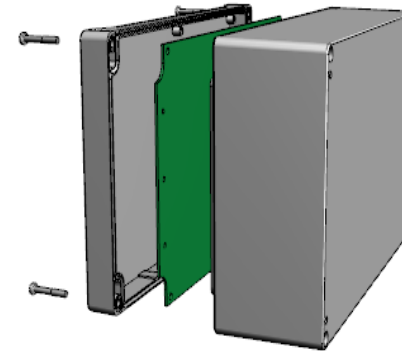


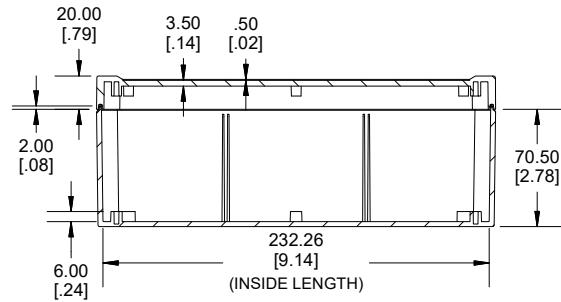
**TOP VIEW**



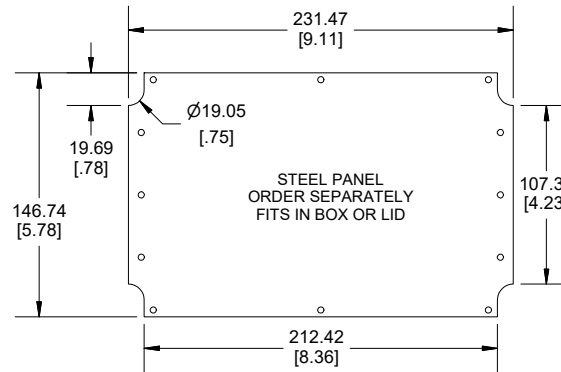
**SECTION B-B  
SIDE VIEW**



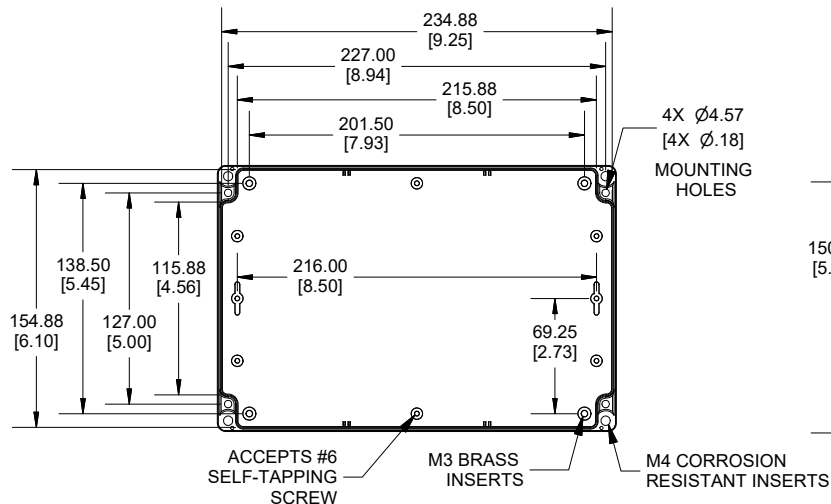
POLYCARBONATE  
VERSION ONLY  
 US LISTED  
 FILE #E65324  
 TYPE 4, 4X



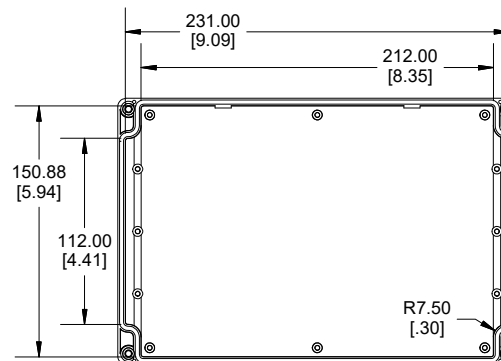
**SECTION A-A  
SIDE VIEW**



STEEL PANEL  
ORDER SEPARATELY  
FITS IN BOX OR LID



**INSIDE BOX**



**INSIDE LID**

Enclosures can be Factory Modified (Milling, Drilling, Printing etc.)  
 Contact Factory (modshop@hammfg.com) for quotes  
 Solid models of this enclosure available in .stp or .x\_t  
 (Part number and text placement/orientation on our products are subject to change,  
 we do not recommend using them as a locating reference for modification purposes)

NOTE	
4 cover screws, and preformed silicone gasket.	
General Purpose ABS version is not UL approved. (Matl UL94 - HB)	
Polycarbonate version is UL 508A approved. (Matl UL94 - 5VA @ 3mm)	
<b>Recommended Cover screw torque -- 43-57 ozf-in (30-40 cN-m)</b>	

1555V	
1555V Regular Enclosure	
General Purpose ABS RAL-7035	1555VGY
Polycarbonate RAL-7035	1555V2GY
ACCESSORIES	
Steel Inner Panels	1554VPL
Steel Panel / P.C. Board Screw [M3-0.5 x 8mm Plated] (Pkg 100)	1591MM100
Steel Panel / P.C. Board Self Tapping Screw [#6 X 1/4" (6.4mm) Plated] (Pkg 100)	1598ATS100
Stainless Steel Cover Screws [M4-0.7 X 25mm] (Pkg 50)	SC583-50
Silicone Pre-formed Gasket Black (Pkg 2)	1554VGASKET

Dimensions:  
mm  
[inches]



**HAMMOND  
MANUFACTURING**  
 1555V  
 www.hammondmfg.com