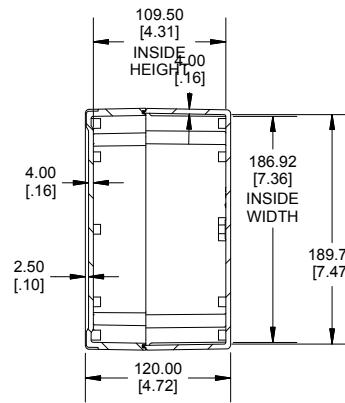
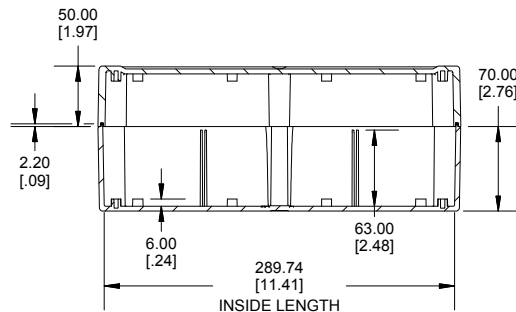
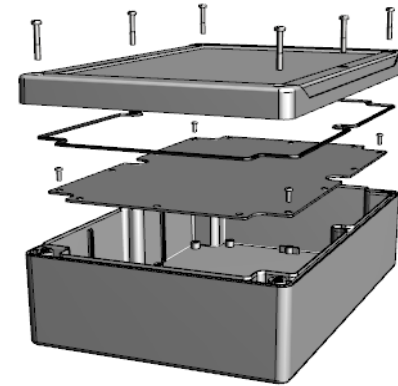


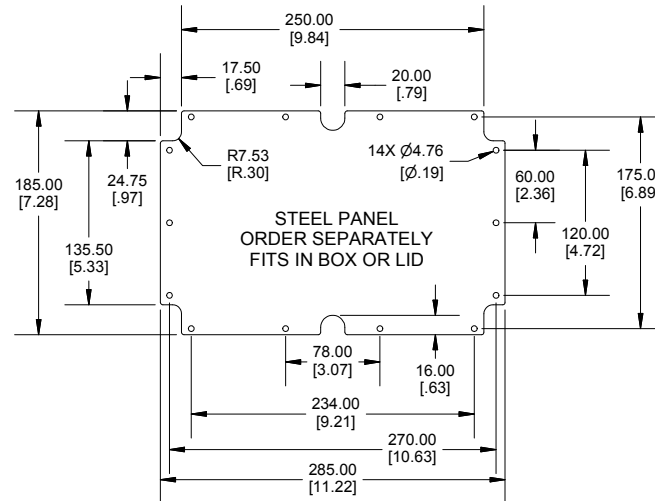
TOP VIEW



SECTION A-A
END VIEW

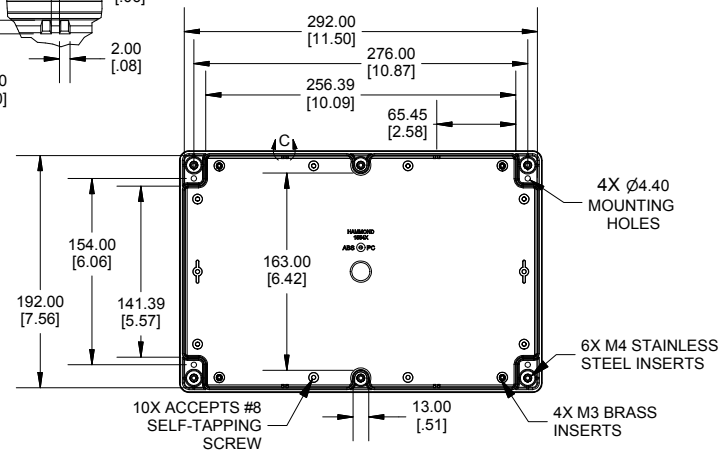
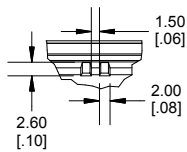


SECTION B-B
SIDE VIEW

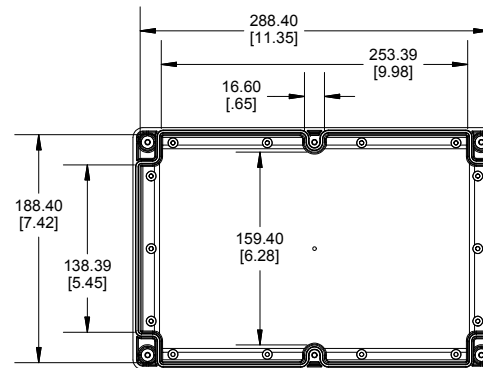


STEEL PANEL
ORDER SEPARATELY
FITS IN BOX OR LID

DETAIL C



INSIDE BOX



INSIDE LID

Dimensions:
mm
[inches]

POLYCARBONATE
VERSION ONLY
UL US LISTED
FILE #E65324
TYPE 4,4X,6,6P

Enclosures can be Factory Modified (Milling, Drilling, Printing etc.)
Contact Factory mjm@hammondmfg.com for quotes
Solid models of this enclosure available in STEP or IGES.
(Part number and text placement/orientation on our products are subject to change,
we do not recommend using them as a locating reference for modification purposes)

NOTE

6 cover screws, and
preformed silicone gasket.
General Purpose ABS version is not UL approved. (Matl UL94 - HB)
Polycarbonate version is UL 508A approved. (Matl UL94 - 5VA @ 3mm)

Recommended Cover screw torque -- 43-57 ozf-in (30-40 cN-m)

1555XA	
1555XA Regular Enclosure	
General Purpose ABS RAL-7035	1555XAGY
Polycarbonate RAL-7035	1555XA2GY
ACCESSORIES	
Steel Inner Panels	1554XPL
Steel Panel / P.C. Board Screw [M3-0.5 x 8mm Plated] (Pkg 100)	1591MM100
Steel Panel / P.C. Board Self Tapping Screw [#8 X 5/16" (6.4mm)]	SC554-100
Stainless Steel Cover Screws [M4-0.7 X 25mm] (Pkg 50)	SC583-50
Silicone Pre-formed Gasket Black (Pkg 2)	1554XGASKET

HAMMOND
MANUFACTURING.
1555XA
www.hammondmfg.com