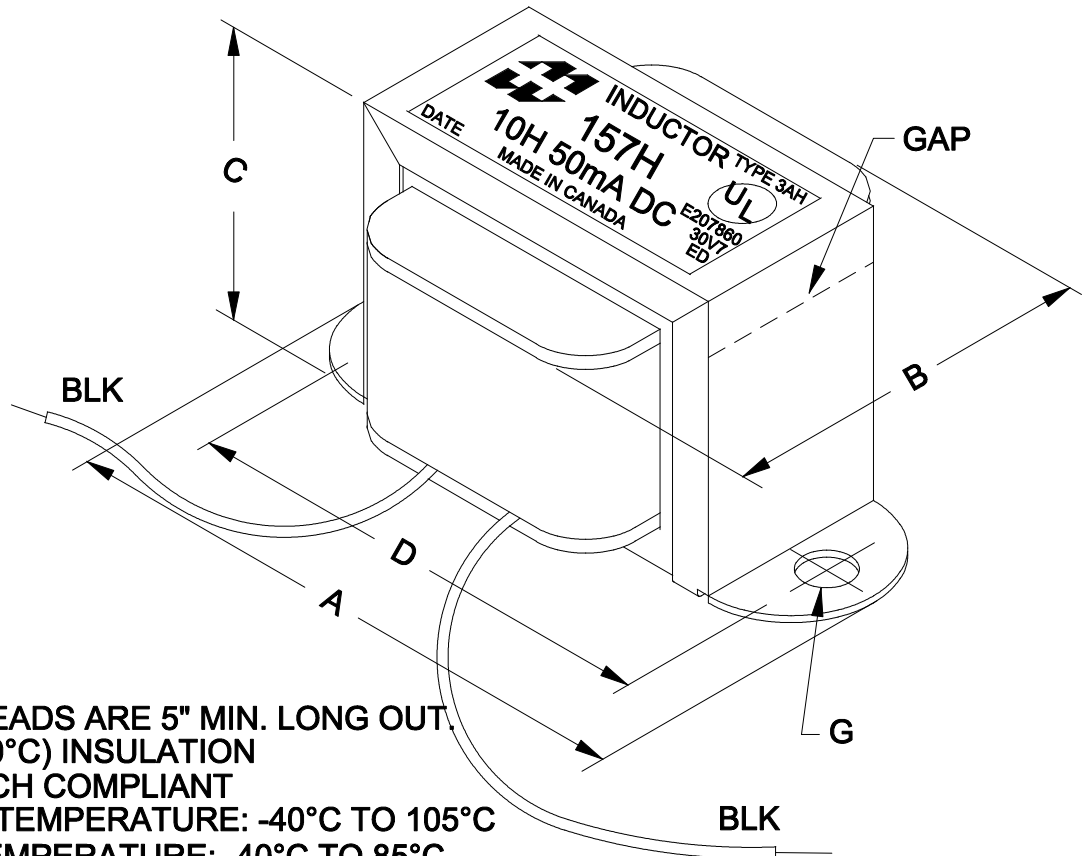
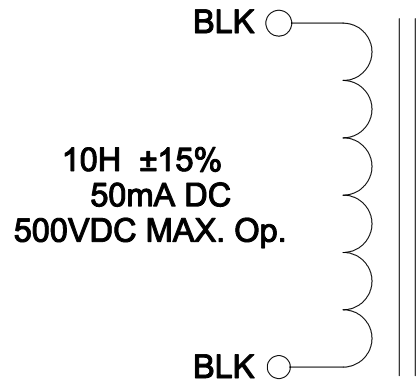


DIMENSIONS:	
A	2.813" ±0.063
B	1.500" ±0.125
C	1.625" ±0.063
D	2.375" ±0.063
G	0.187" ±0.015



NOTE: ALL LEADS ARE 5" MIN. LONG OUT.  
CLASS B (130°C) INSULATION  
RoHS & REACH COMPLIANT  
OPERATING TEMPERATURE: -40°C TO 105°C  
STORAGE TEMPERATURE: -40°C TO 85°C

ELECTRICAL DATA:		
TESTS	CONDITIONS	ACCEPTANCE CRITERIA
INDUCTANCE	@ 30V, 60Hz, 50mA DC, BLK - BLK	10H ±15%
DCR	@ 20°C, BLK - BLK =	407.6 Ω ±15%
HIPOT	PRIMARY - SECONDARY	2500V, 60Hz, 1 SEC



**ELECTRONIC DIVISION**  
52 RANKIN PLACE,  
WATERLOO, ONTARIO, N2J 3Z5  
PH # (519) 886-6181  
FAX # (519) 886-9540

TITLE			
CHOKE			
NO	DATE	REVISION	DWG. BY
0	02/07/22	RELEASED.	C.I.
			C. ILIE
			DATE
			02/07/22
			DIM IN(X)MM( )

157H