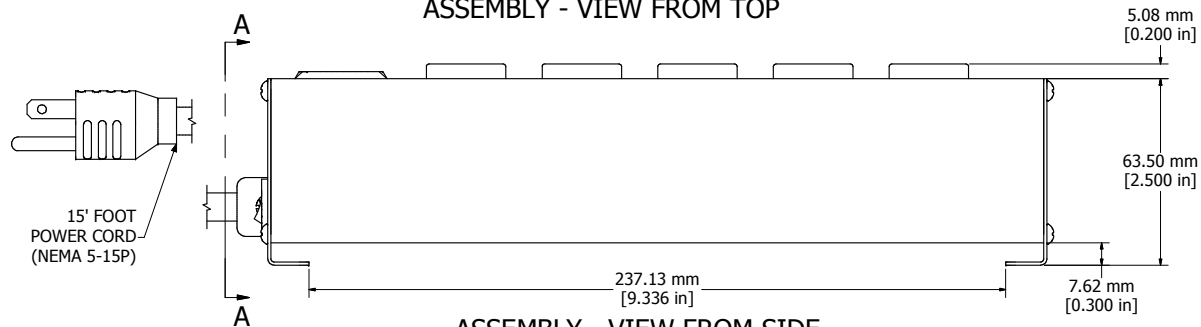
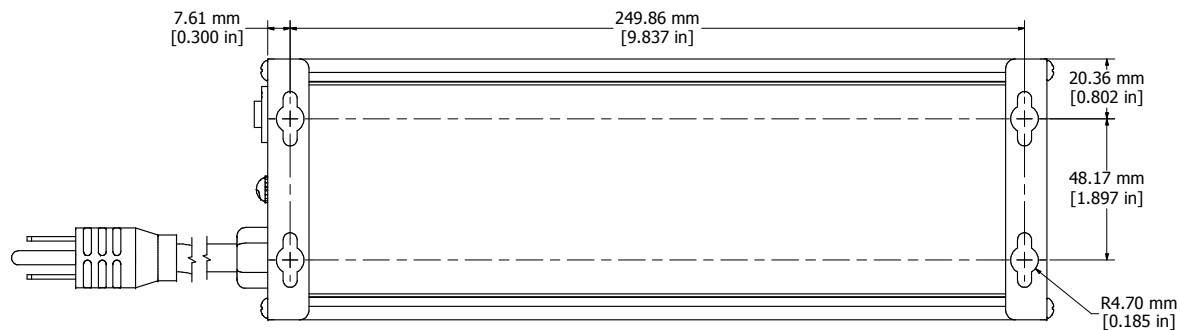


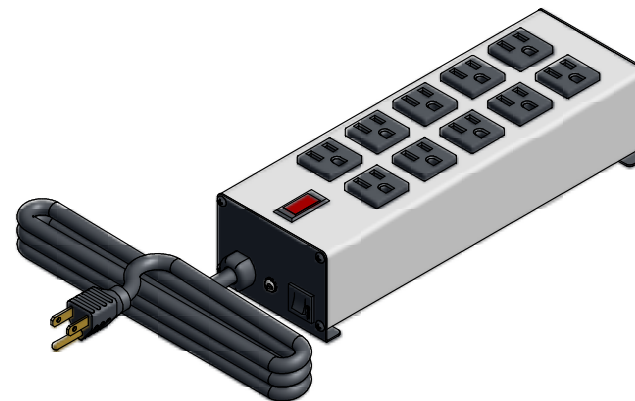
ASSEMBLY - VIEW FROM TOP



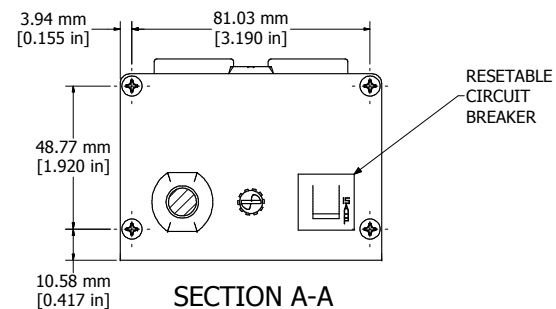
ASSEMBLY - VIEW FROM SIDE



ASSEMBLY - VIEW FROM BOTTOM



ISOMETRIC VIEW



|  |
|--|
| <b>1580T10B1</b>   |
| Finish - Sides - Black Painted Steel                         |
| Case - Aluminum Extrusion                                    |
| Rated - 120 VAC, 60 Hz, 15 Amps                              |
| Approvals - CSA Certified Standards C22.2 (No. 21-95, 42-99) |
| - UL Listed, Standard UL 1363                                |



**HAMMOND  
MANUFACTURING™**

**1580T10B1**

www.hammondmfg.com