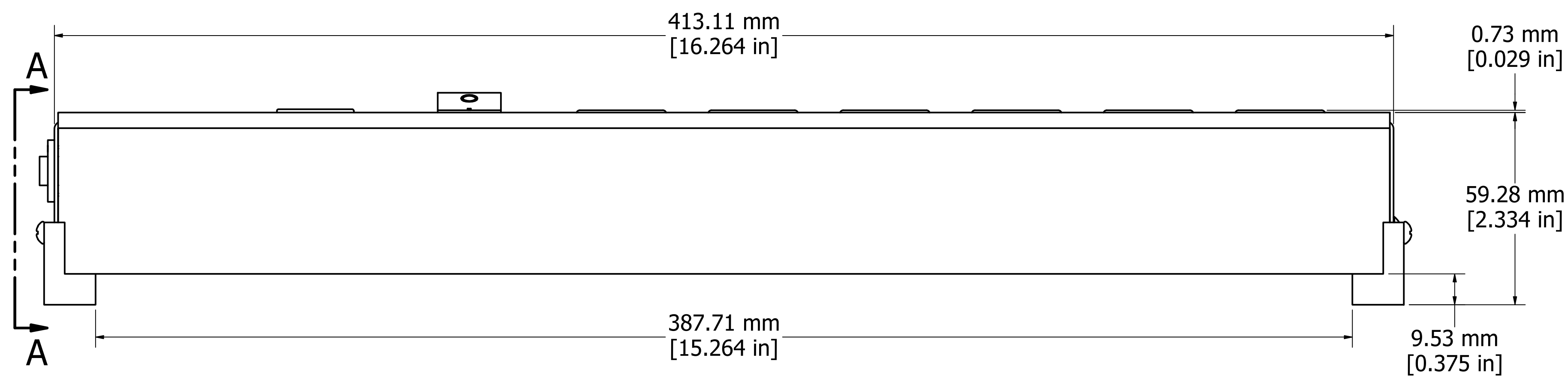
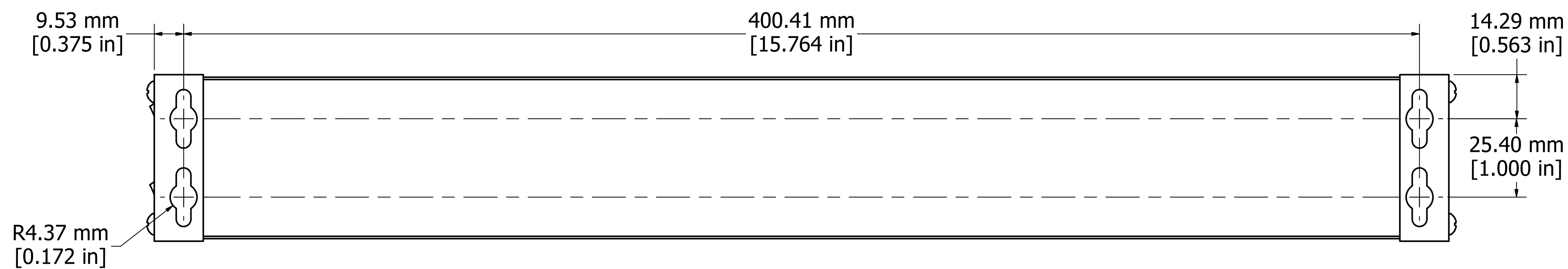


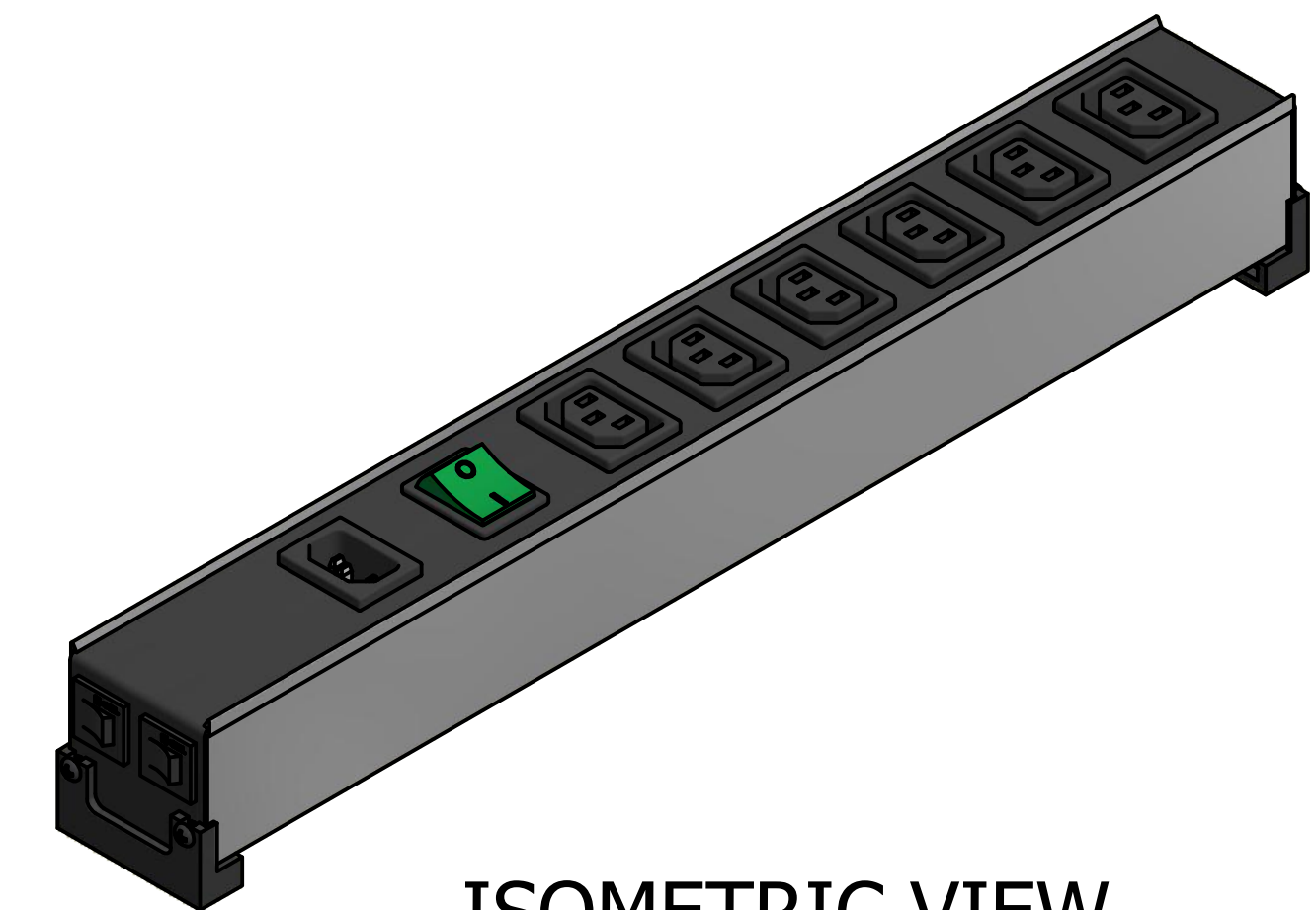
ASSEMBLY - VIEW FROM TOP



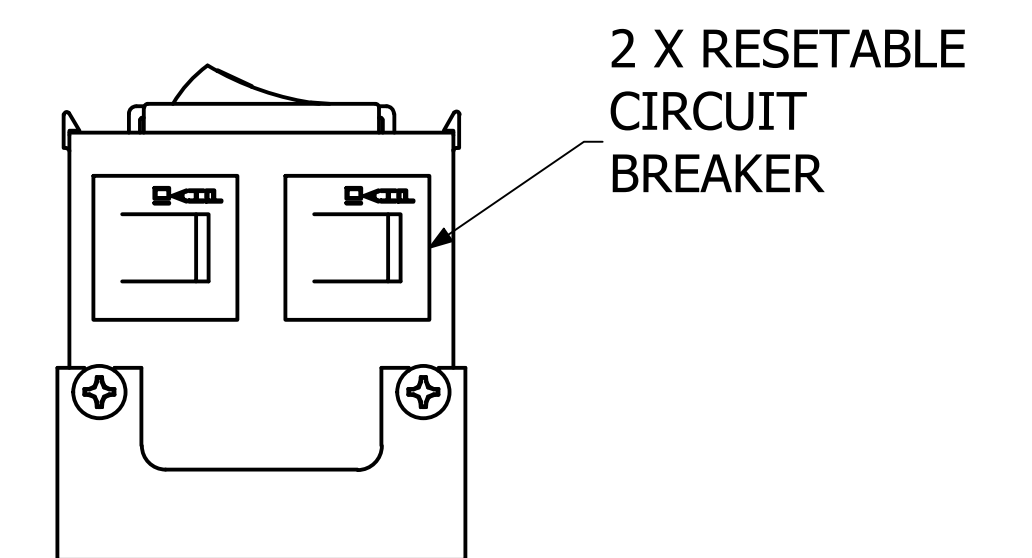
ASSEMBLY - VIEW FROM SIDE



ASSEMBLY - VIEW FROM BOTTOM



ISOMETRIC VIEW



VIEW A-A

| 1581H6DP |
|--|
| Finish - Top - Black Painted Steel |
| Bottom - Aluminum Extrusion |
| Rated - 100-240 VAC, 50/60 Hz, 10 Amps |
| Approvals - cULus Listed UL 62368-1 (2nd Edition), 2014-12-01, and CAN/CSA C22.2 No. 62368-1-14 (2nd Edition). |
| - TUV-SUD Certified to EN 62368-1:2014/A11:2017, and IEC 62368-1:2014 (2nd Edition) |
| - CE compliant to European Low Voltage Directive 2014/35/EU |

**HAMMOND
MANUFACTURING™**

1581H6DP

www.hammondmfg.com