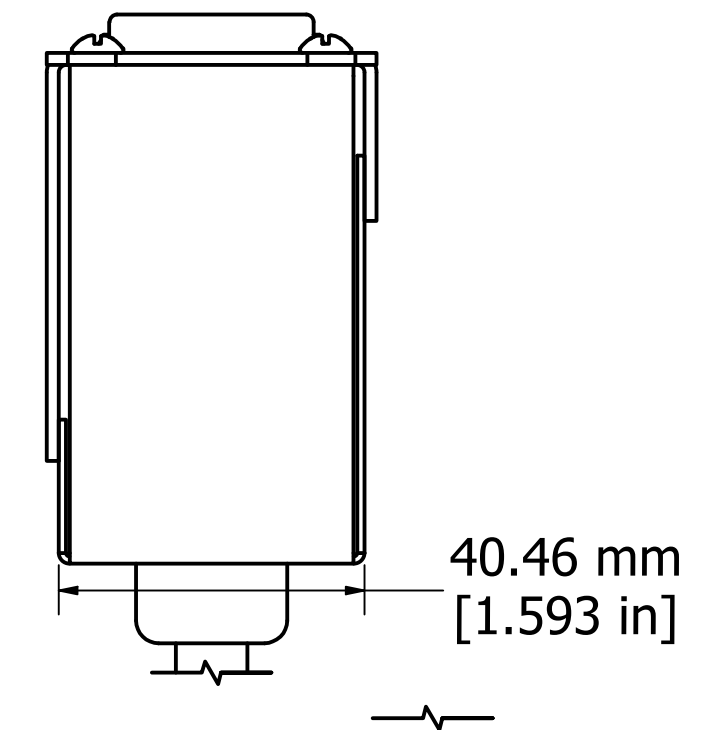
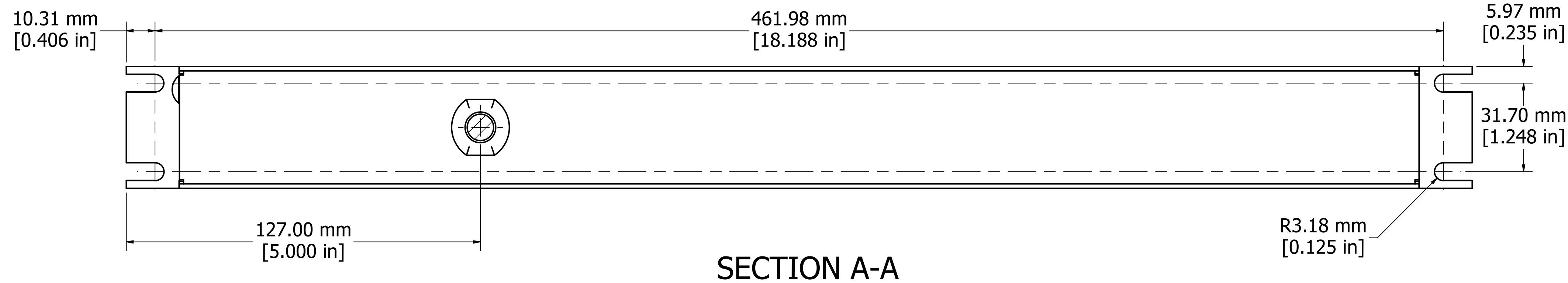


**ISOMETRIC VIEW**



**ASSEMBLY - VIEW FROM SIDE**



<b>1582H6C1SBK</b>
Finish - Front - Black Painted Steel
Back - Black Painted Steel
Rated - 125 VAC, 60 Hz, 15 Amps
Approvals - cURus Recognized to: UL1449 & C22.2 No. 269.3-17
Surge Specs - 1080 Joules, 75000 Amps Transient Current
- 500V Voltage Protection Rating (VPR)

**HAMMOND MANUFACTURING™**

**1582H6C1SBK**

[www.hammondmfg.com](http://www.hammondmfg.com)