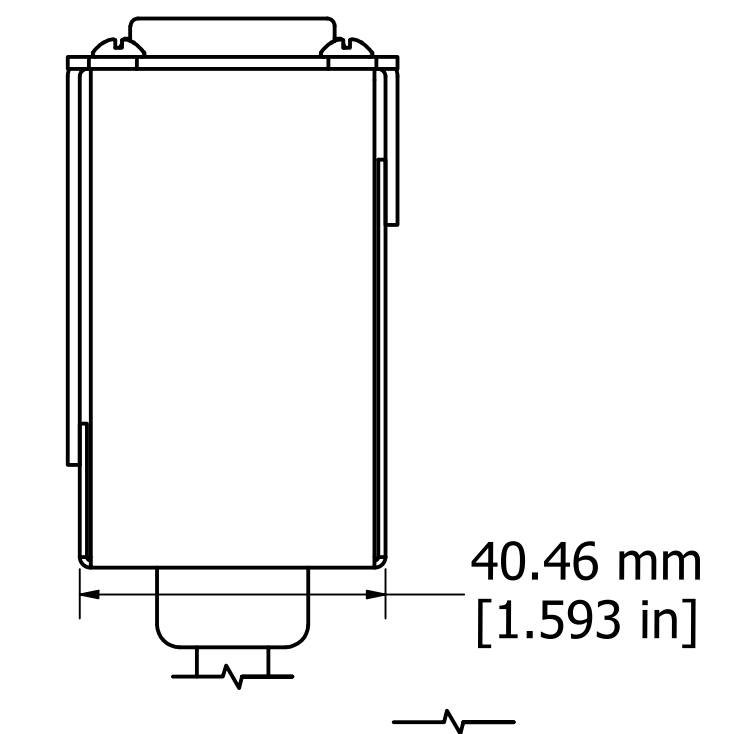


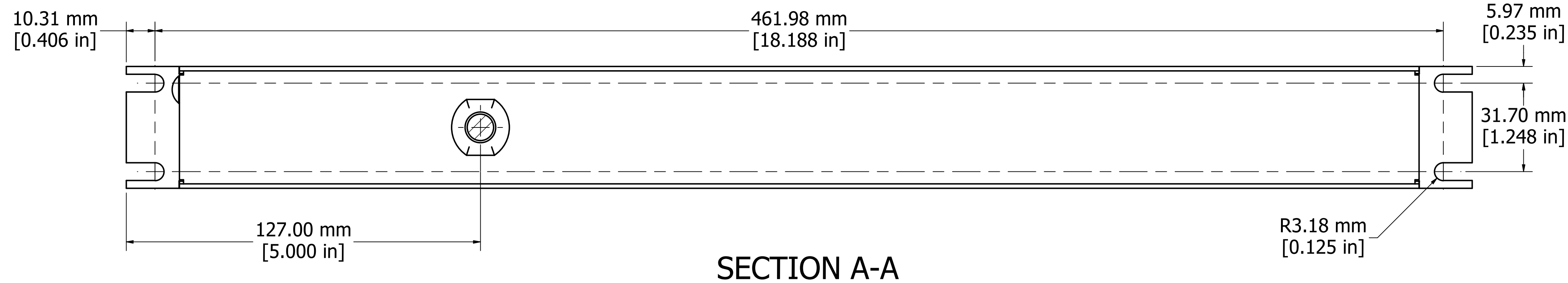
**ISOMETRIC VIEW**



**ASSEMBLY - VIEW FROM SIDE**

15' FOOT LOCKING POWER CORD (NEMA L5-15P)

**ASSEMBLY - VIEW FROM BOTTOM**



<b>1582H6D1S</b>
Finish - Front - ASA 61 Grey Painted Steel
Back - ASA 61 Grey Painted Steel
Rated - 125 VAC, 60 Hz, 15 Amps
Approvals - cURus Recognized to: UL1449 & C22.2 No. 269.3-17
Surge Specs - 1080 Joules, 75000 Amps Transient Current
- 500V Voltage Protection Rating (VPR)

**HAMMOND MANUFACTURING™**

**1582H6D1S**

www.hammondmfg.com