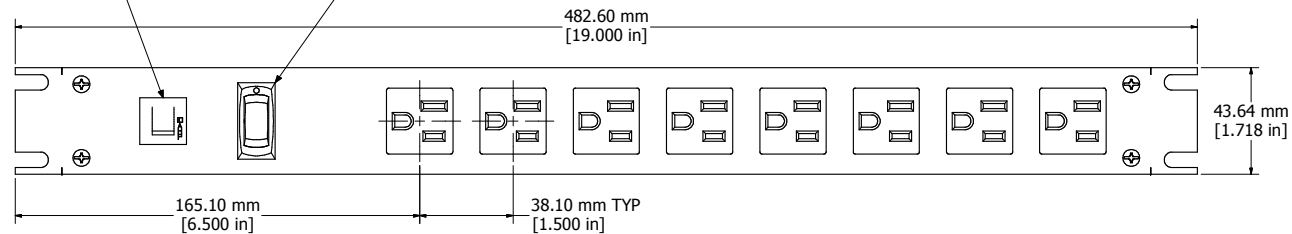
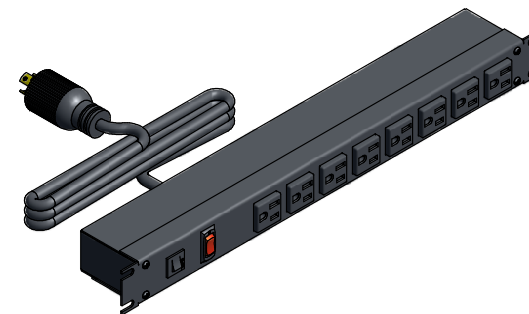


RESETTABLE CIRCUIT BREAKER

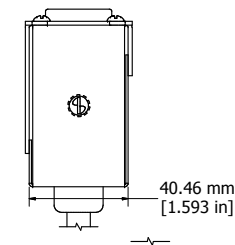
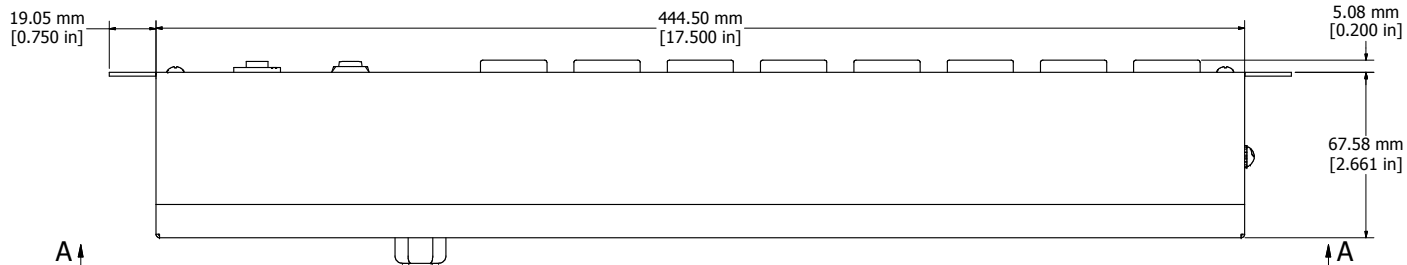
LIGHTED ON/OFF POWER SWITCH



ASSEMBLY - VIEW FROM FRONT



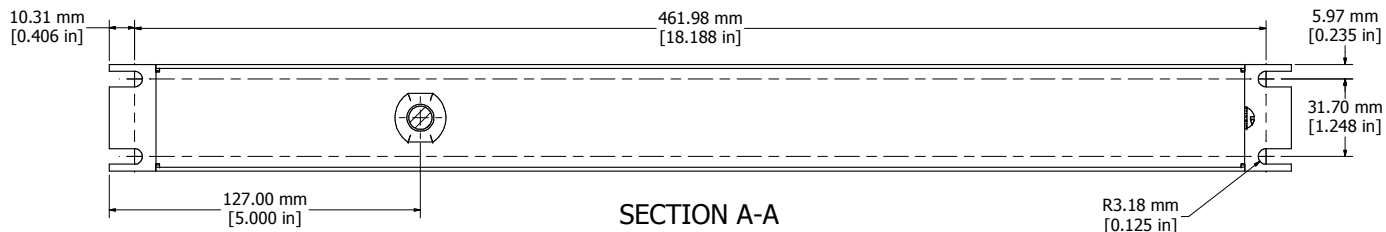
ISOMETRIC VIEW



ASSEMBLY - VIEW FROM SIDE

15' FOOT LOCKING POWER CORD (NEMA L5-15P)

ASSEMBLY - VIEW FROM BOTTOM



1582H8D1BK
Finish - Front - Black Painted Steel
Back - Black Painted Steel
Rated - 125 VAC, 60 Hz, 15 Amps
Approvals - CSA Certified Standards C22.2 (No. 21-95, 42-99)
- UL Recognized Standard UL1363



HAMMOND MANUFACTURING™

1582H8D1BK

www.hammondmfg.com