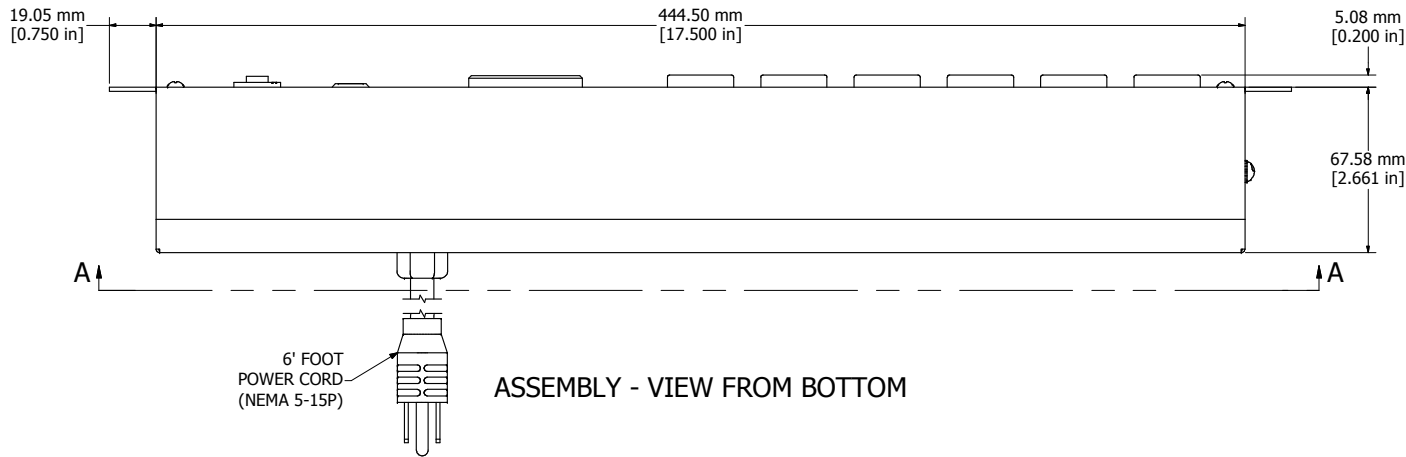
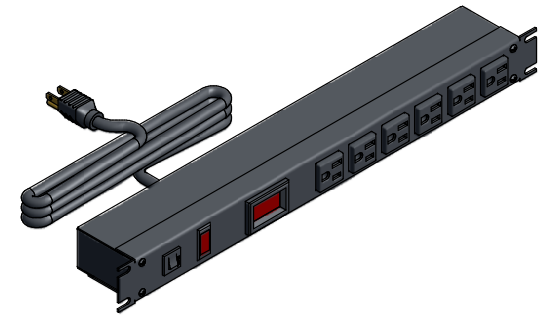
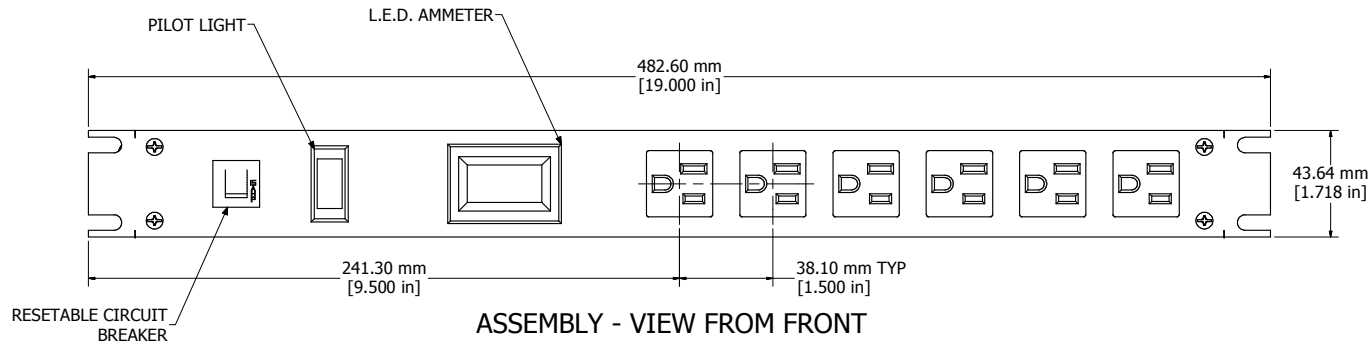
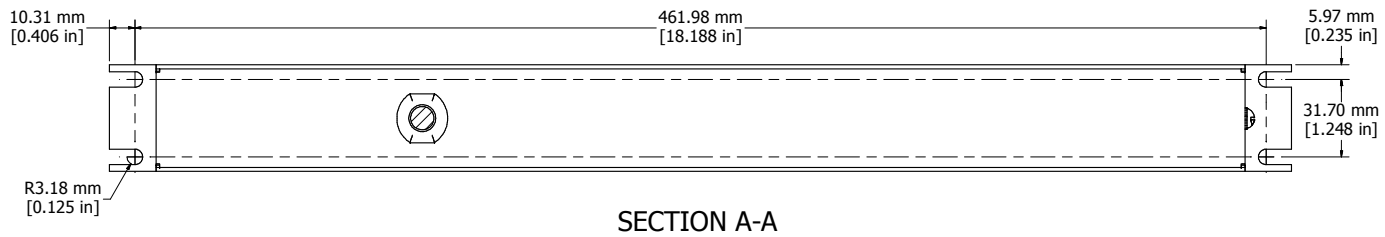
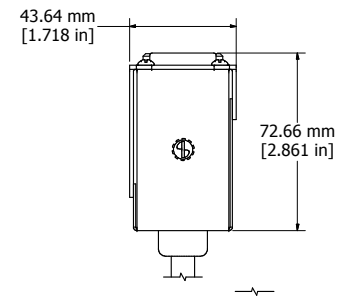


8 | 7 | 6 | 5 | 4 | 3 | 2 | 1



ISOMETRIC VIEW



1582T6A1BKAM	
Finish - Front - Black Painted Steel	Back - Black Painted Steel
Rated - 125 VAC, 60 Hz, 15 Amps	
Approvals - cURus Recognized to Standard UL1363 & CSA	
C22.2 No. 21-95	

HAMMOND MANUFACTURING™

1582T6A1BKAM

www.hammondmfg.com

8 | 7 | 6 | 5 | 4 | 3 | 2 | 1