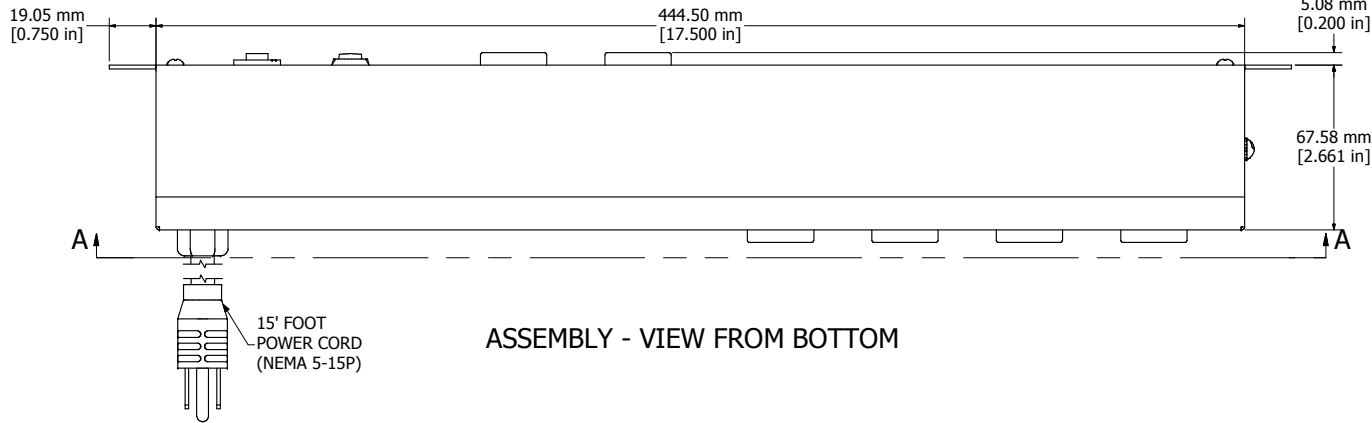
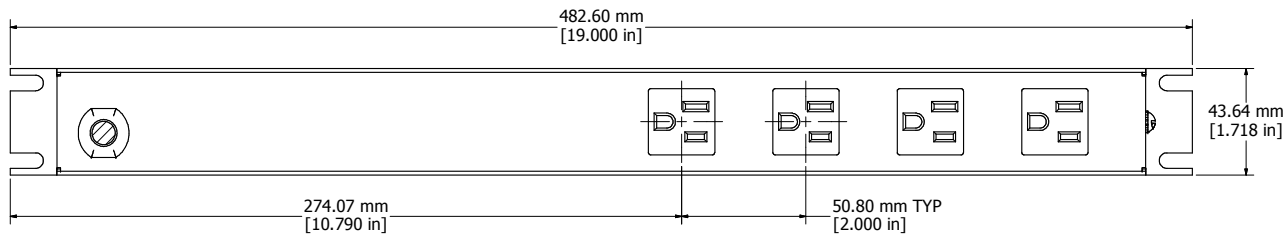


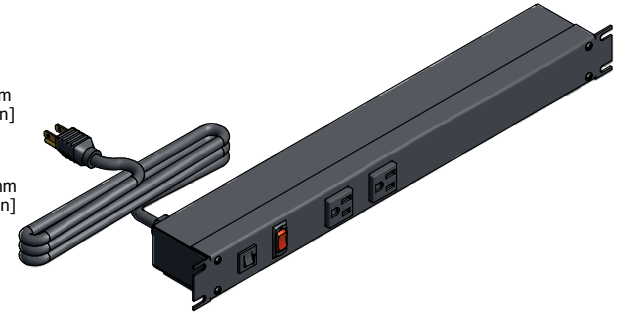
ASSEMBLY - VIEW FROM FRONT



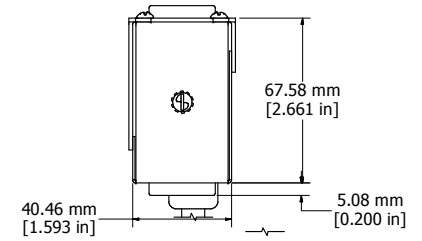
ASSEMBLY - VIEW FROM BOTTOM



SECTION A-A



ISOMETRIC VIEW



ASSEMBLY - VIEW FROM SIDE

1583H6B1BKX
Finish - Front - Black Painted Steel
Back - Black Painted Steel
Rated - 125 VAC, 60 Hz, 15 Amps
Approvals - CSA Certified Standards C22.2 (No. 21-95, 42-99)
- UL Recognized Standard UL 1363



**HAMMOND
MANUFACTURING™**

1583H6B1BKX

www.hammondmfg.com