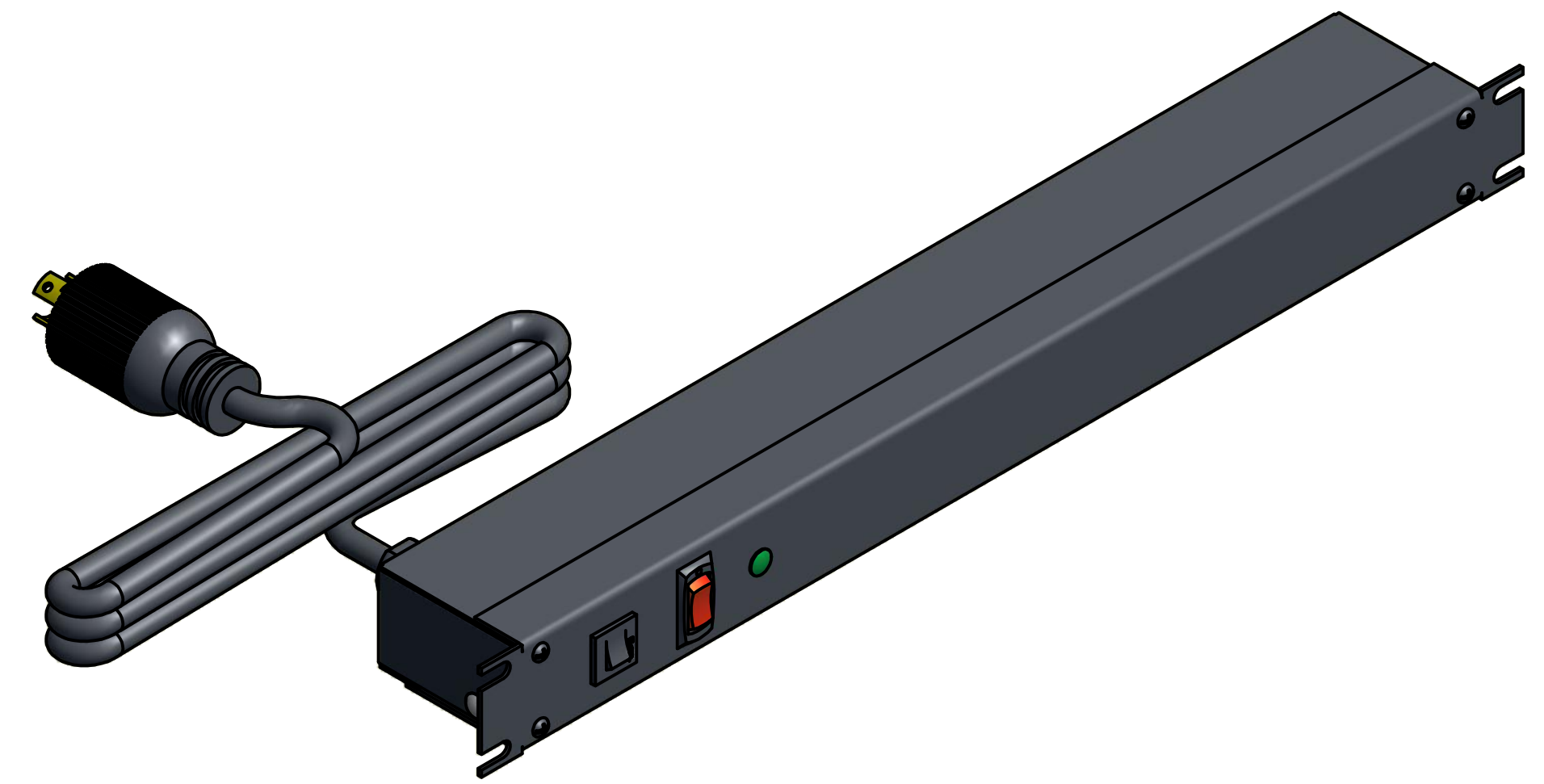
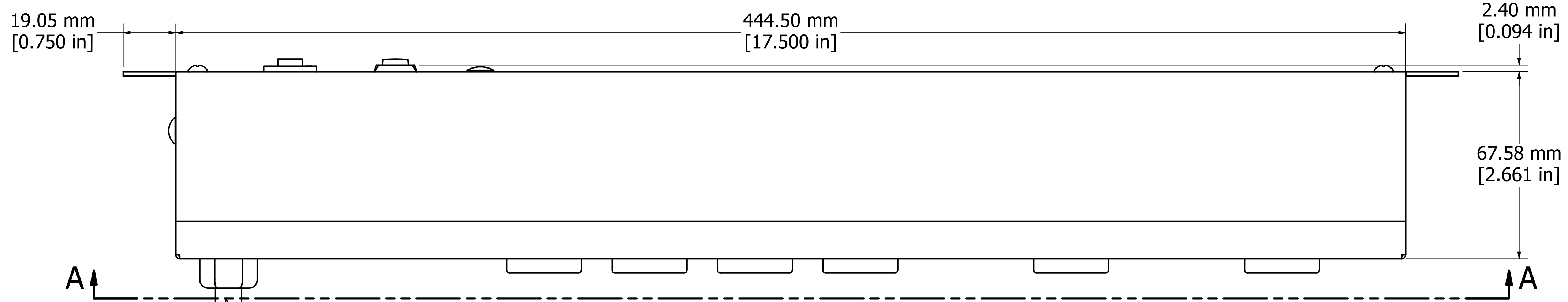


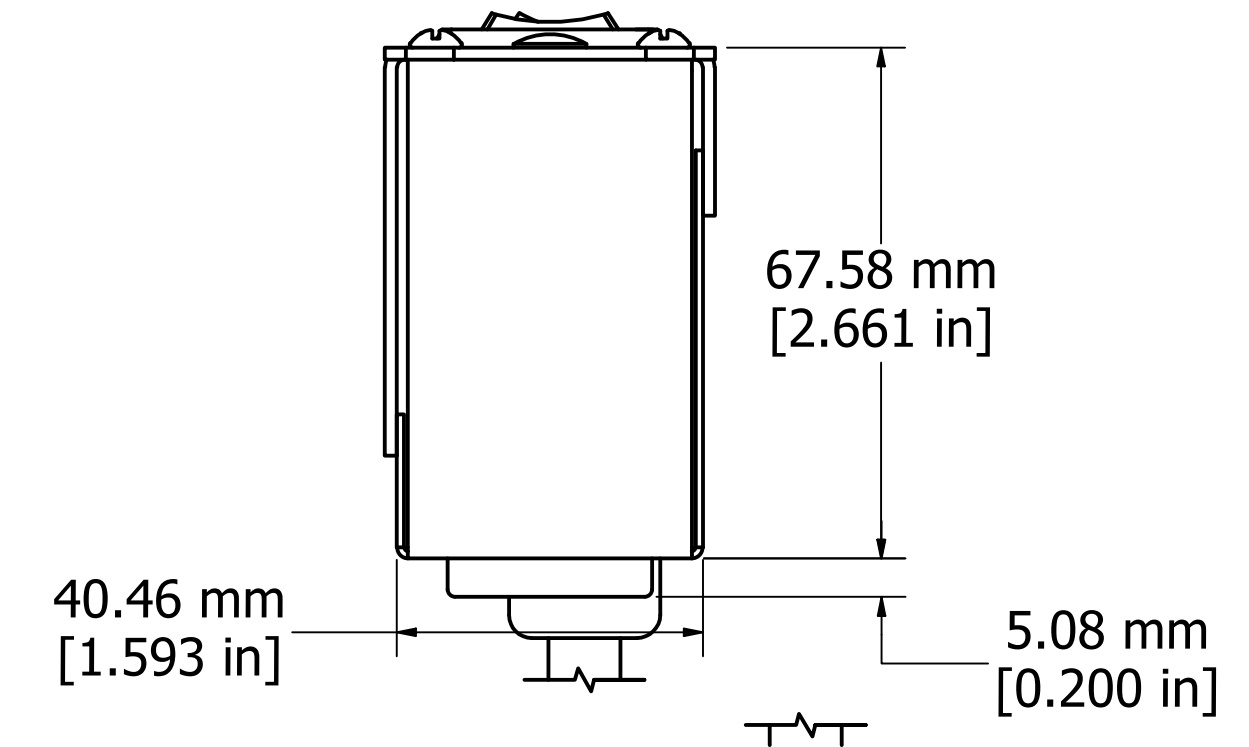
ASSEMBLY - VIEW FROM FRONT



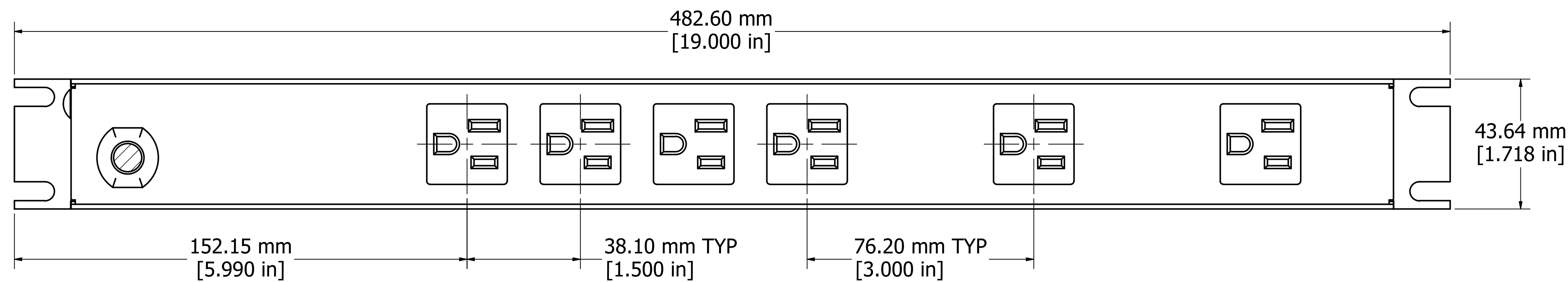
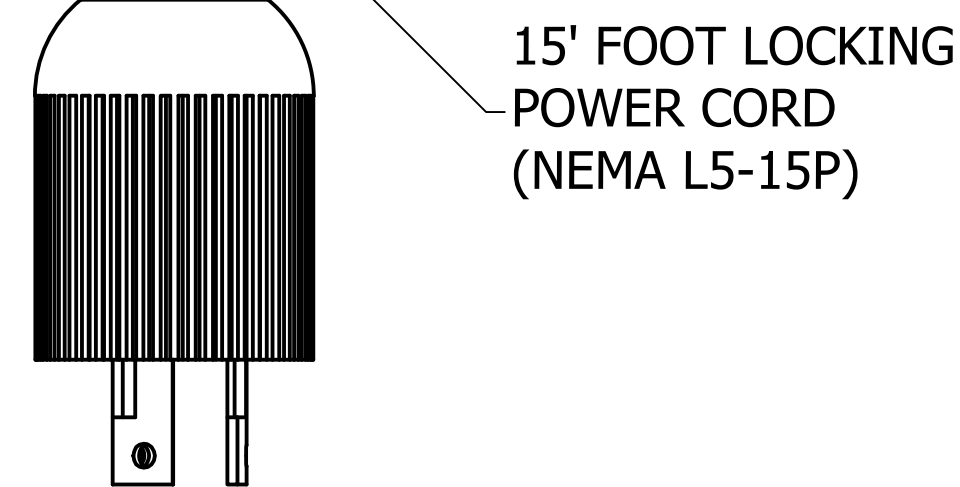
ISOMETRIC VIEW



ASSEMBLY - VIEW FROM BOTTOM



ASSEMBLY - VIEW FROM SIDE



SECTION A-A

<b>1583H6D1SBK</b>
Finish - Front - Black Painted Steel
Back - Black Painted Steel
Rated - 125 VAC, 60 Hz, 15 Amps
Approvals - cURus Recognized to: UL1449 & C22.2 No. 269.3-17
Surge Specs - 1080 Joules, 75000 Amps Transient Current
- 500V Voltage Protection Rating (VPR)

**HAMMOND MANUFACTURING™**

**1583H6D1SBK**

www.hammondmfg.com