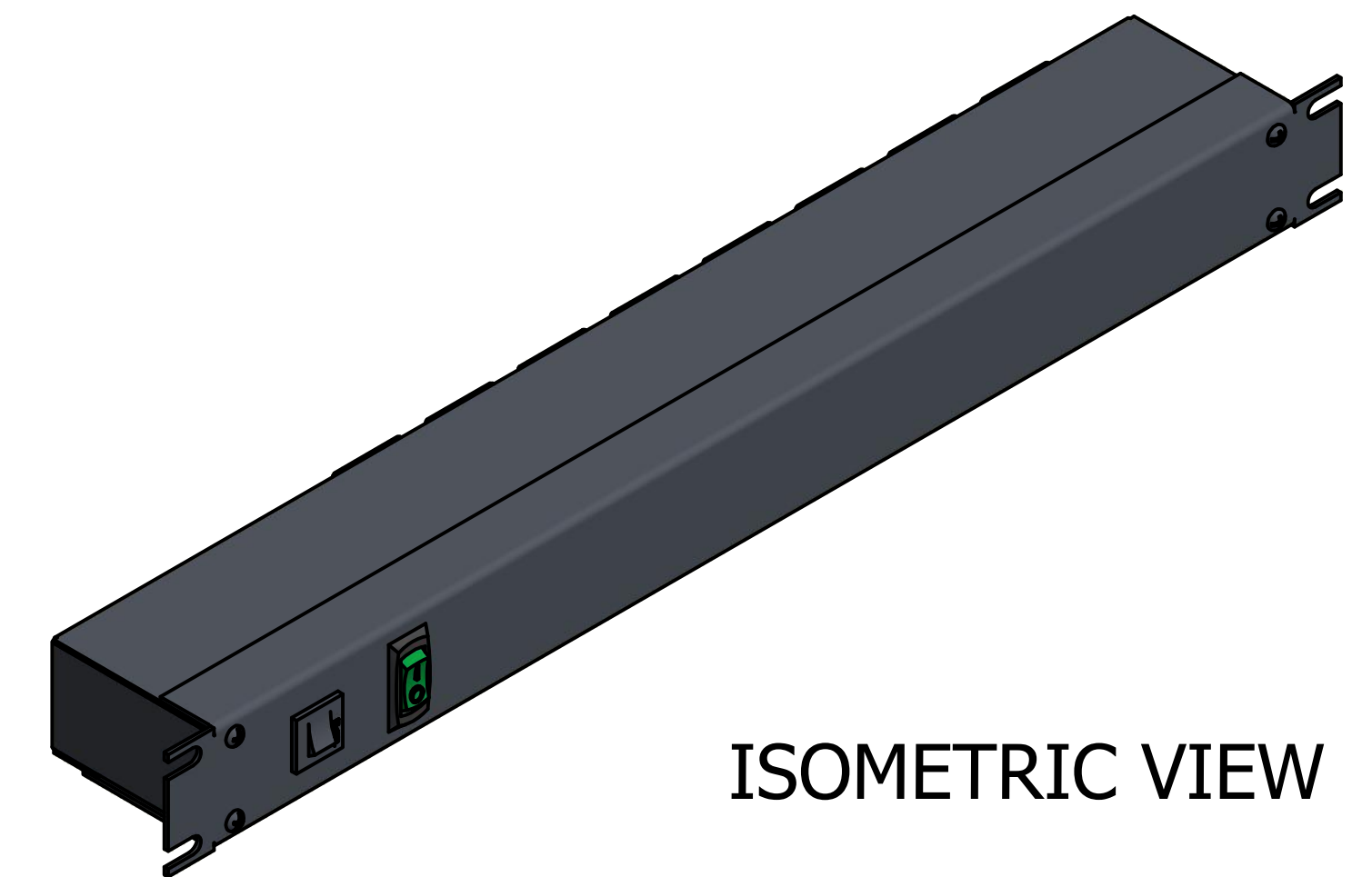
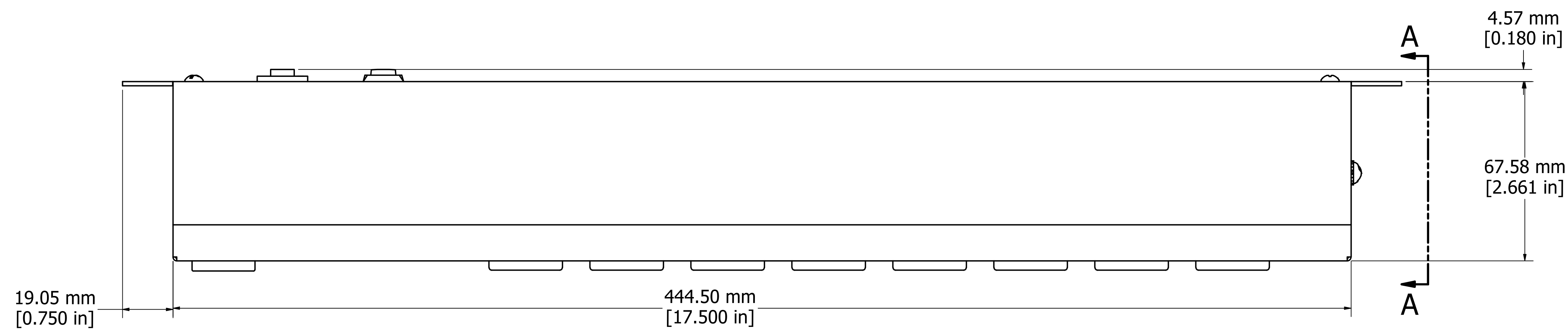


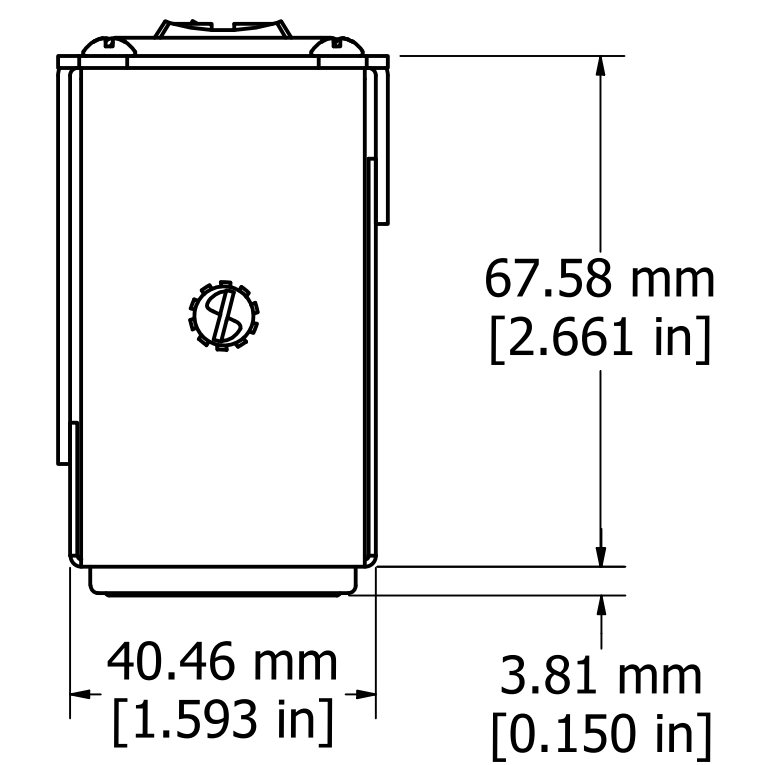
ASSEMBLY - VIEW FROM FRONT



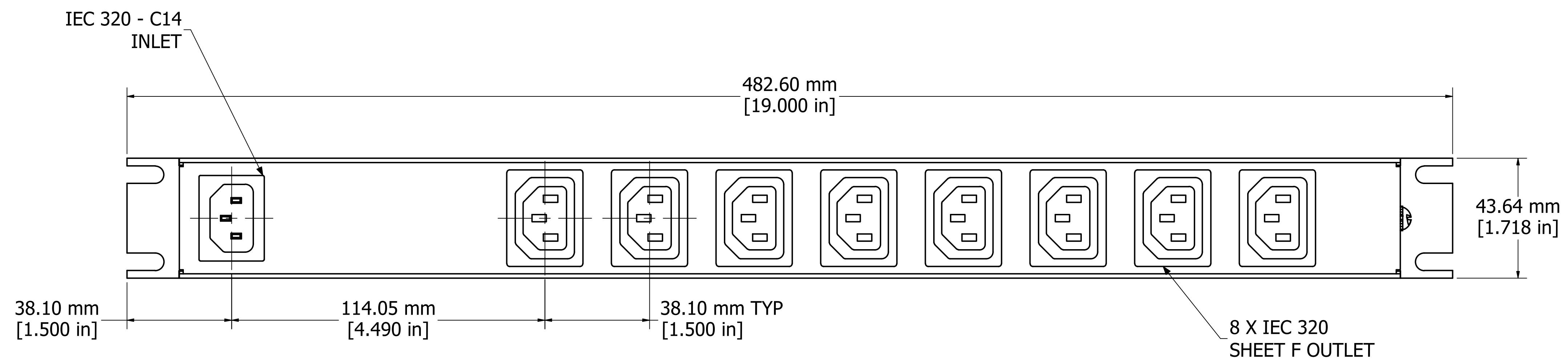
ISOMETRIC VIEW



ASSEMBLY - VIEW FROM BOTTOM



VIEW A-A



ASSEMBLY - VIEW FROM BACK

1583H8E1BK
Finish - Front - Black Painted Steel
Back - Black Painted Steel
Rated - 100-240 VAC, 50/60 Hz, 10 Amps
Approvals - cULus Listed UL 62368-1 (2nd Edition), 2014-12-01, and .
CAN/CSA C22.2 No. 62368-1-14 (2nd Edition)
- TUV-SUD Certified to EN 62368-1:2014/A11:2017,
and IEC 62368-1:2014 (2nd Edition)
- CE compliant to the European Low Voltage Directive 2014/35/EU.



**HAMMOND
MANUFACTURING™**

1583H8E1BK

www.hammondmfg.com