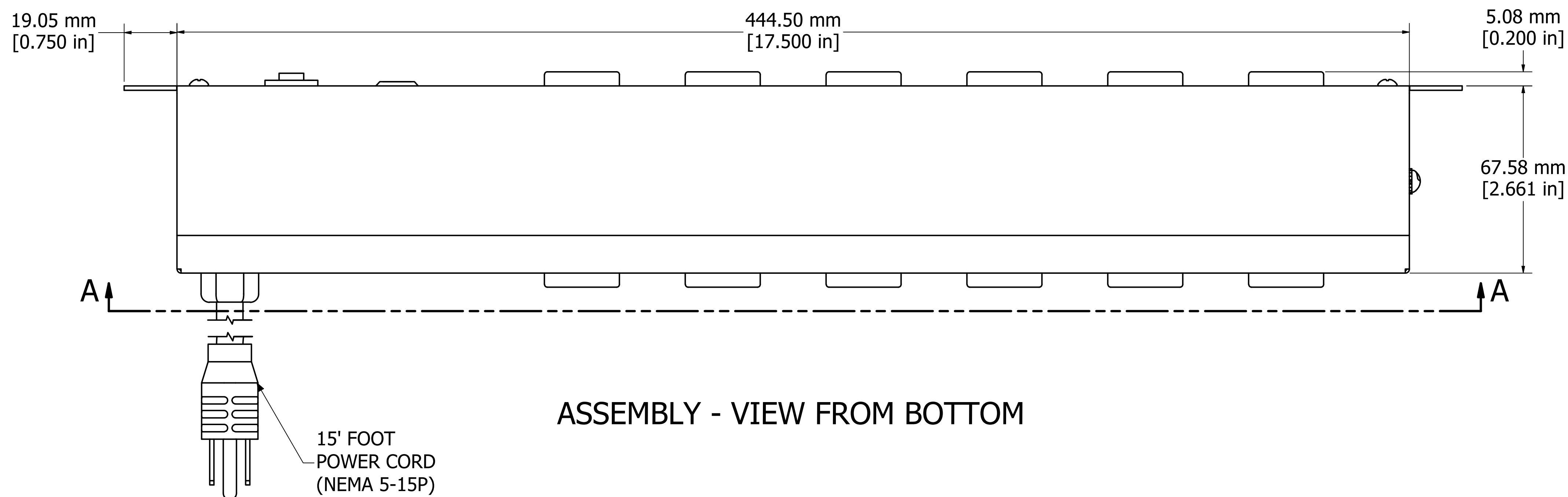
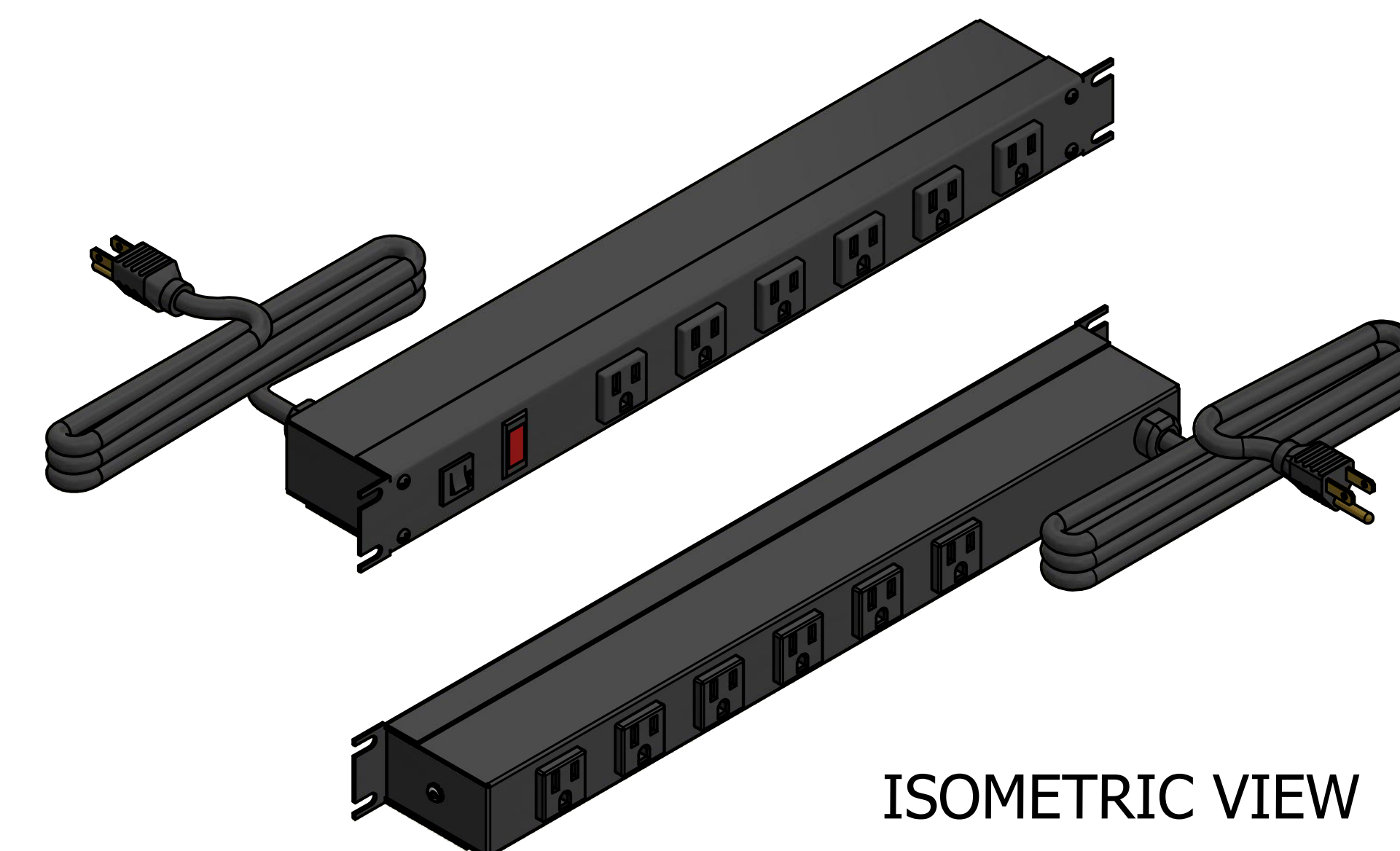
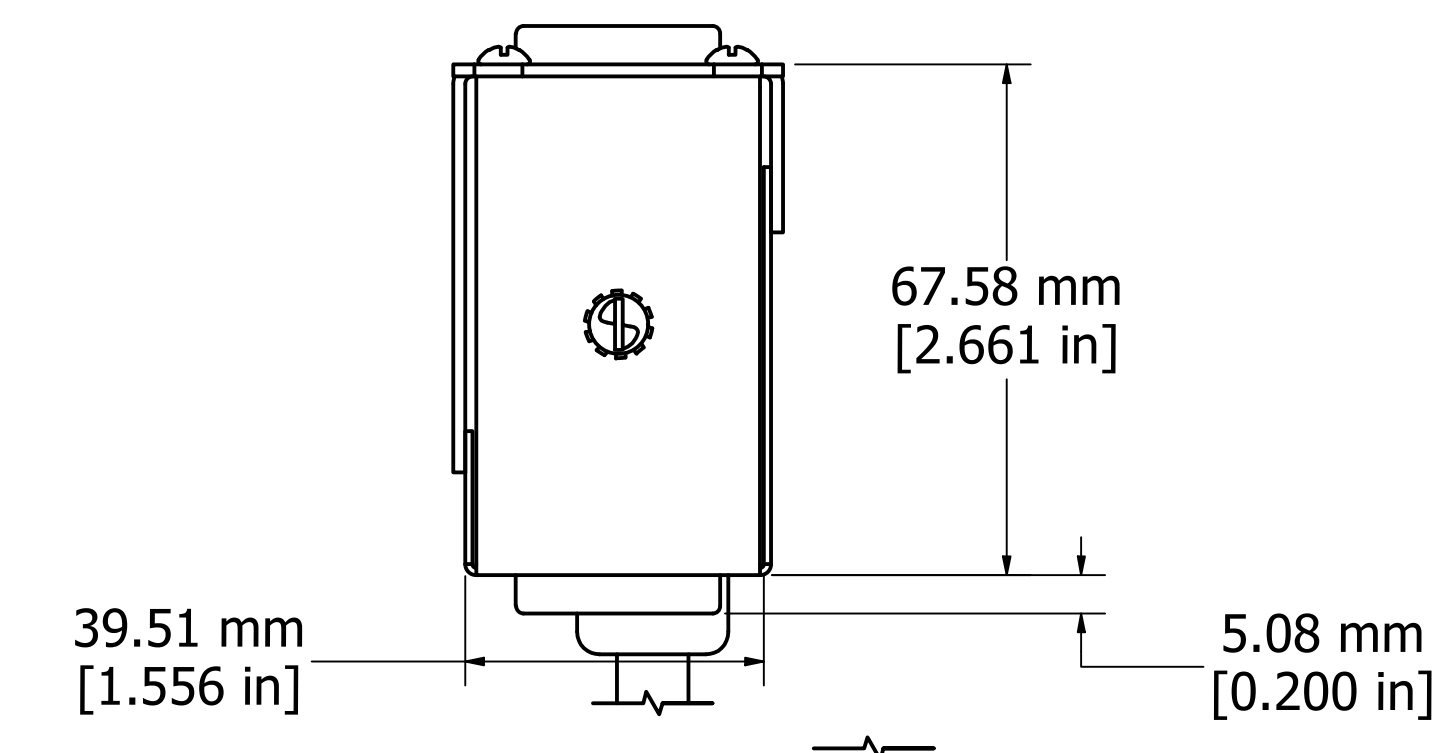


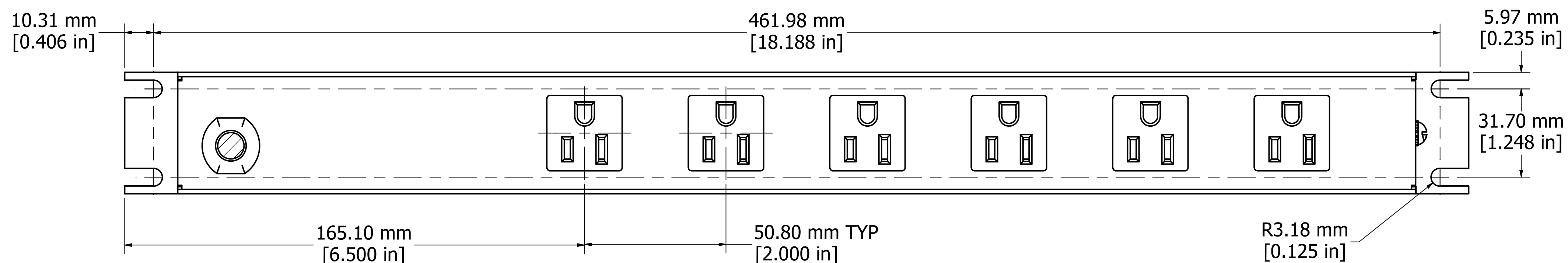
ASSEMBLY - VIEW FROM FRONT



ASSEMBLY - VIEW FROM BOTTOM



ASSEMBLY - VIEW FROM SIDE



SECTION A-A

| |
|--------------------------------------------------------------|
| 1583T12B1BKXRA |
| Finish - Front - Black Painted Steel |
| Back - Black Painted Steel |
| Rated - 125 VAC, 60 Hz, 15 Amps |
| Approvals - CSA Certified Standards C22.2 (No. 21-95, 42-99) |
| - UL Recognized Standard UL1363 |



**HAMMOND
MANUFACTURING™**

1583T12B1BKXRA

www.hammondmfg.com