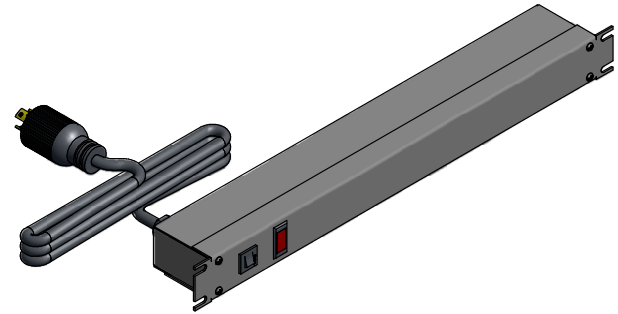
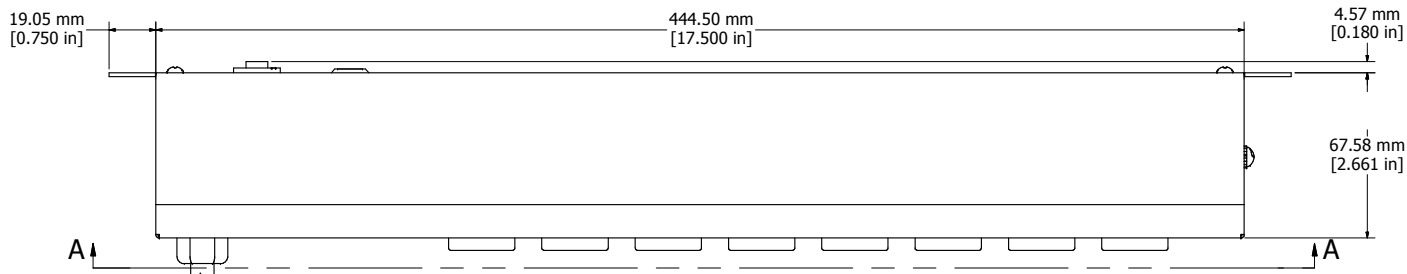


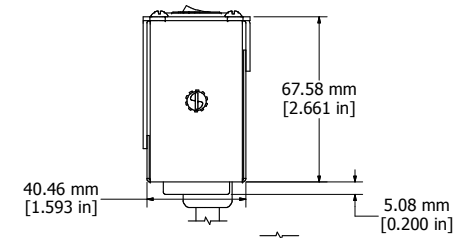
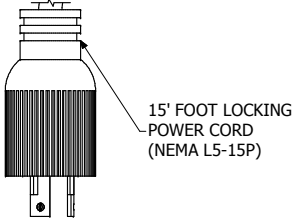
ASSEMBLY - VIEW FROM FRONT



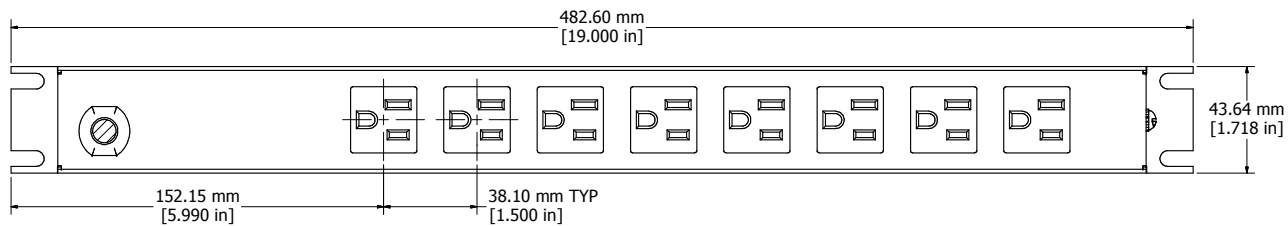
ISOMETRIC VIEW



ASSEMBLY - VIEW FROM BOTTOM



ASSEMBLY - VIEW FROM SIDE



SECTION A-A

1583T8D1
Finish - Front - ASA 61 Grey Painted Steel
Back - ASA 61 Grey Painted Steel
Rated - 125 VAC, 60 Hz, 15 Amps
Approvals - CSA Certified Standards C22.2 (No. 21-95, 42-99)
- UL Recognized Standard UL 1363



**HAMMOND
MANUFACTURING™**

1583T8D1

www.hammondmfg.com