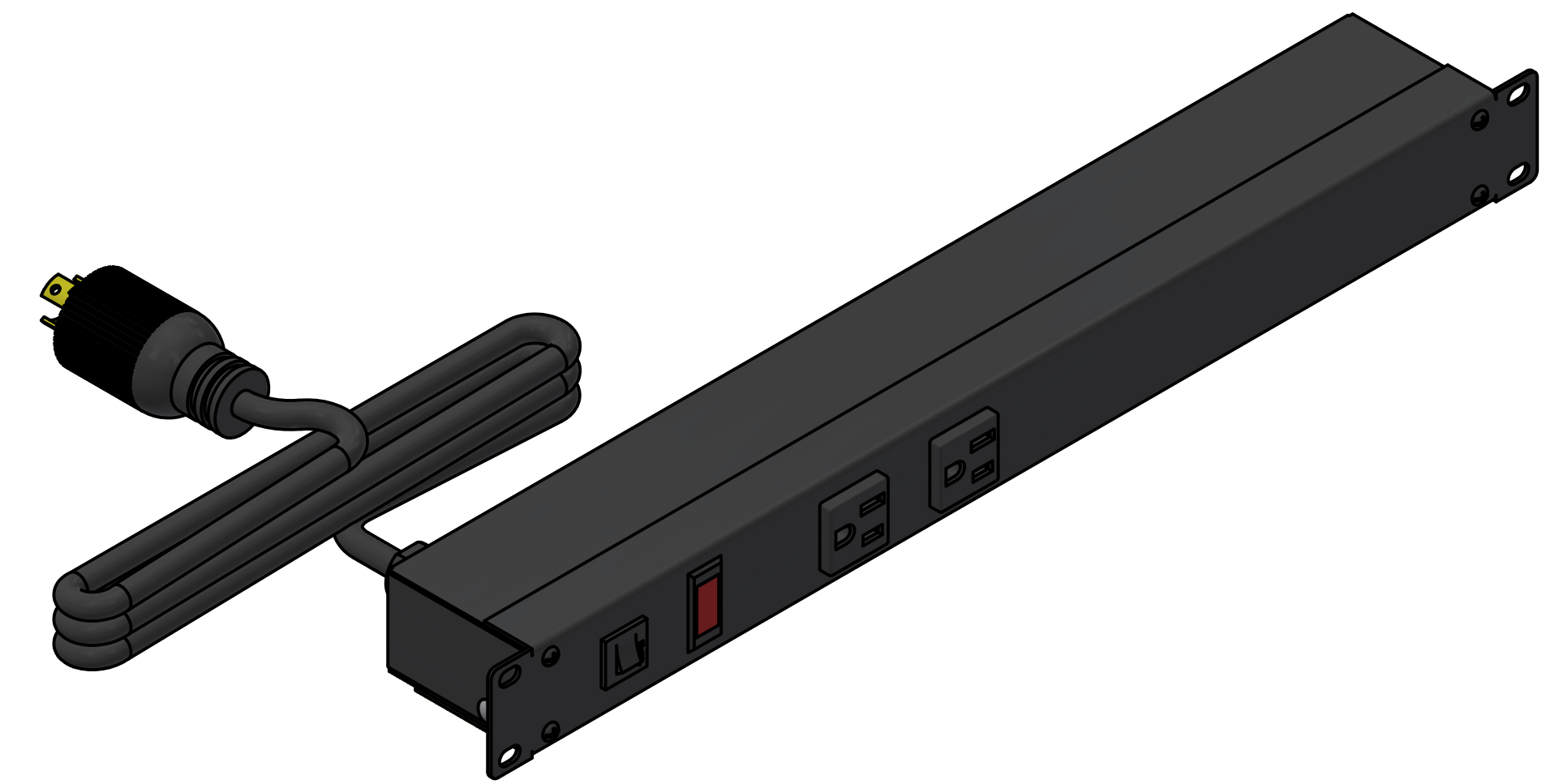
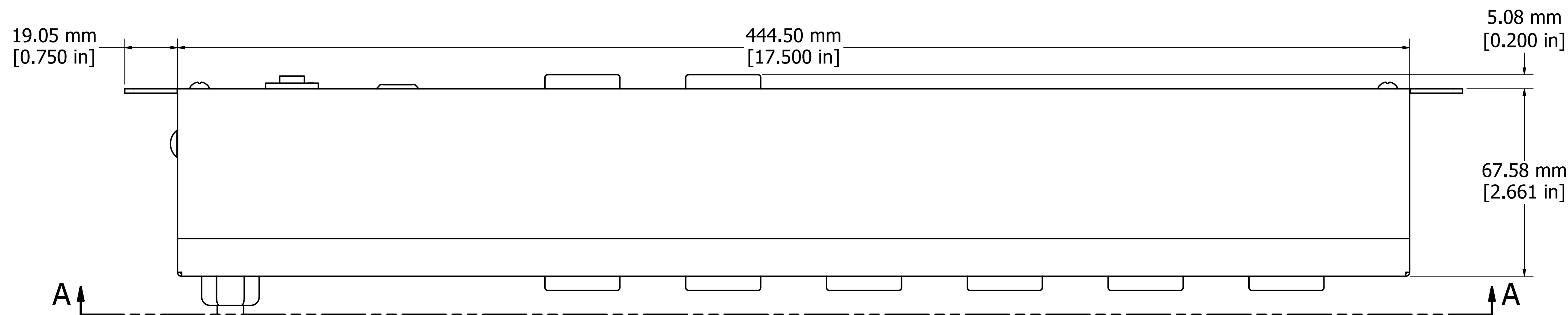


ASSEMBLY - VIEW FROM FRONT

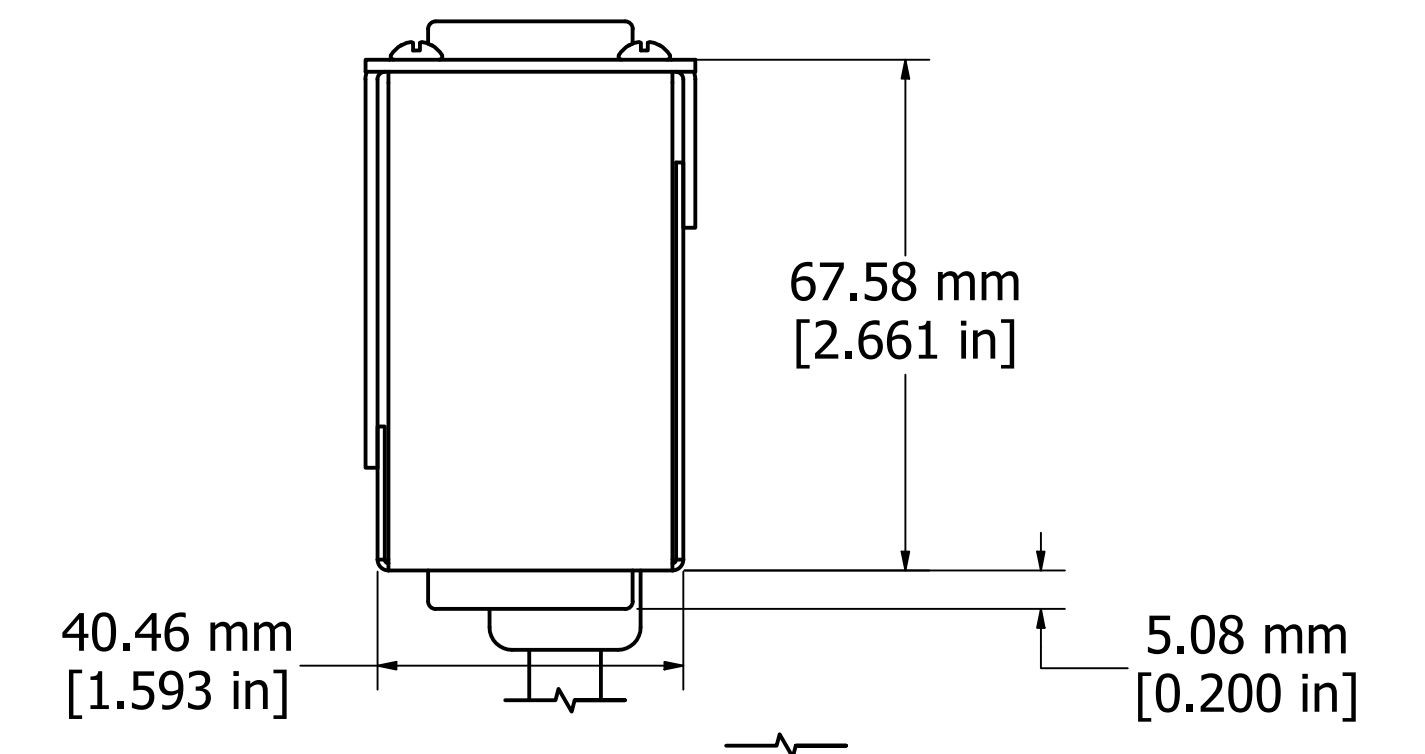


ISOMETRIC VIEW

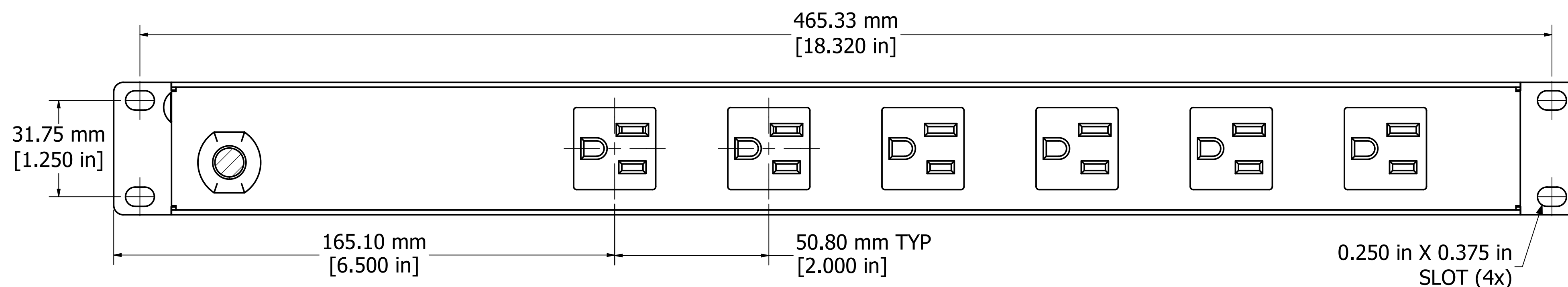


ASSEMBLY - VIEW FROM BOTTOM

ASSEMBLY - VIEW FROM FRONT



15' FOOT LOCKING  
POWER CORD  
(NEMA L5-15P)



SECTION A-A

<b>1583T8D1BKX</b>
Finish - Front - Black Painted Steel
Back - Black Painted Steel
Rated - 125 VAC, 60 Hz, 15 Amps
Approvals - CSA Certified Standards C22.2 (No. 21-95, 42-99)
- UL Recognized Standard UL1363



**1583T8D1BKX**