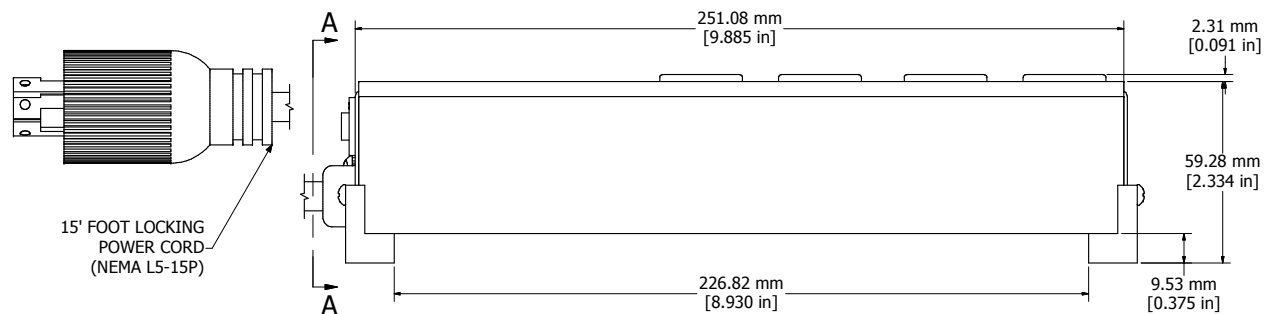
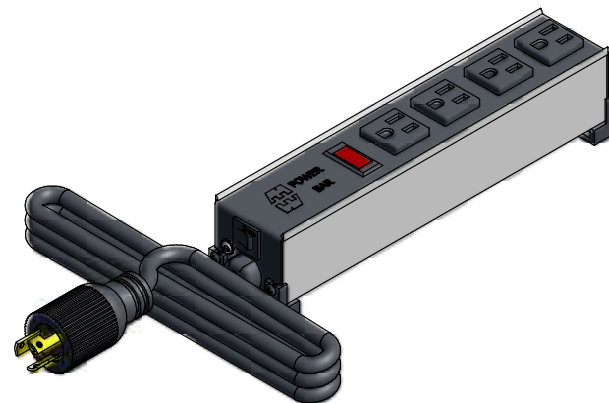
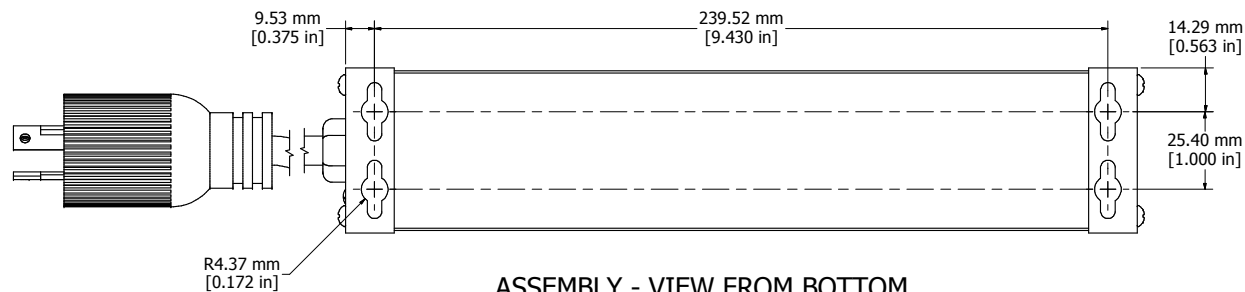
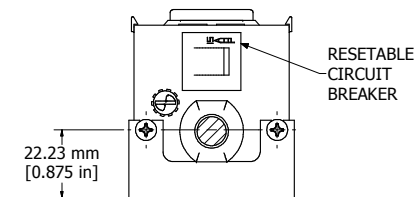


ASSEMBLY - VIEW FROM TOP



ASSEMBLY - VIEW FROM SIDE



1584T4D1
Finish - Top - Black Painted Steel
Bottom - Aluminum Extrusion
Rated - 120 VAC, 60 Hz, 15 Amps
Approvals - CSA Certified Standards C22.2 (No. 21-95, 42-99)
- UL Listed, Standard UL1363



**HAMMOND
MANUFACTURING™**

1584T4D1

www.hammondmfg.com