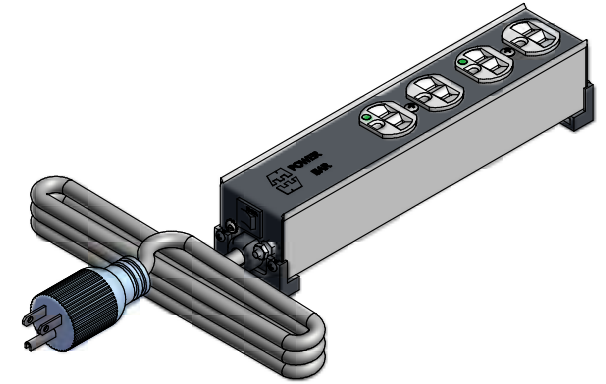
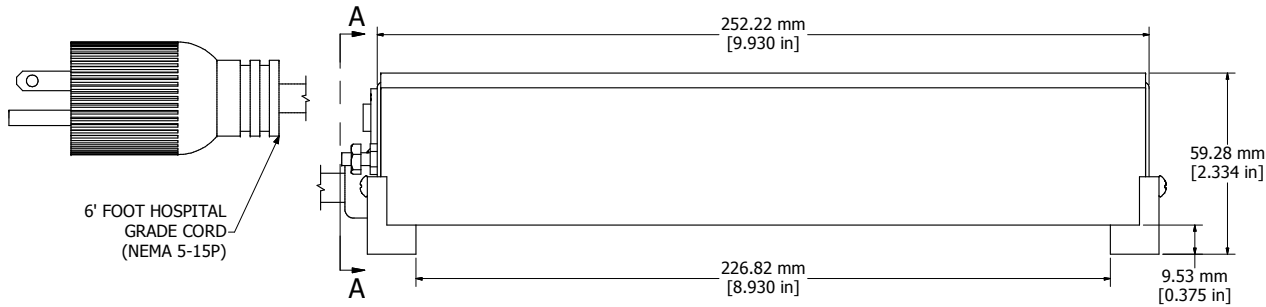


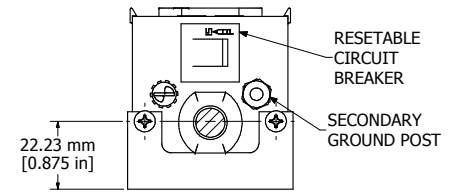
ASSEMBLY - VIEW FROM TOP



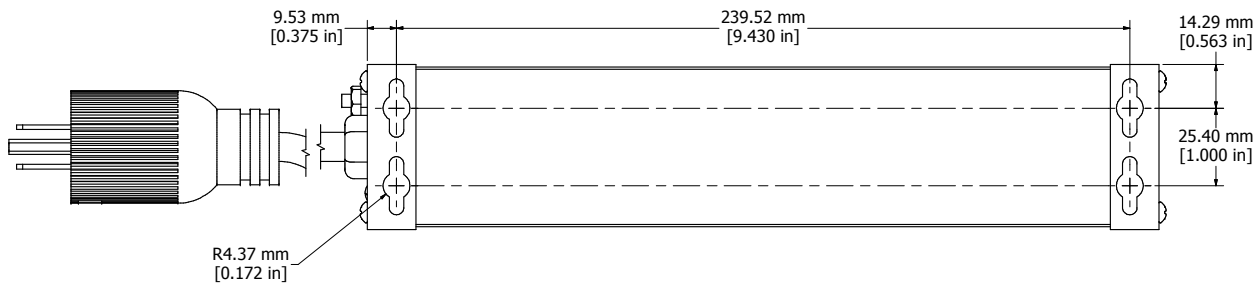
ISOMETRIC VIEW



ASSEMBLY - VIEW FROM SIDE



SECTION A-A



ASSEMBLY - VIEW FROM BOTTOM

**1584T4DH6**

Finish - Top - Black Painted Steel

Bottom - Aluminum Extrusion

Rated - 120 VAC, 60 Hz, 15 Amps

Approvals - CSA Certified Standards C22.2 (No. 21-95, 42-99),

Cord Sets no. 8 - Hospital Grade Powerbars (Canada Only)

- TUVus Certified to UL60601-1 & UL1363



**HAMMOND  
MANUFACTURING™**

**1584T4DH6**

www.hammondmfg.com