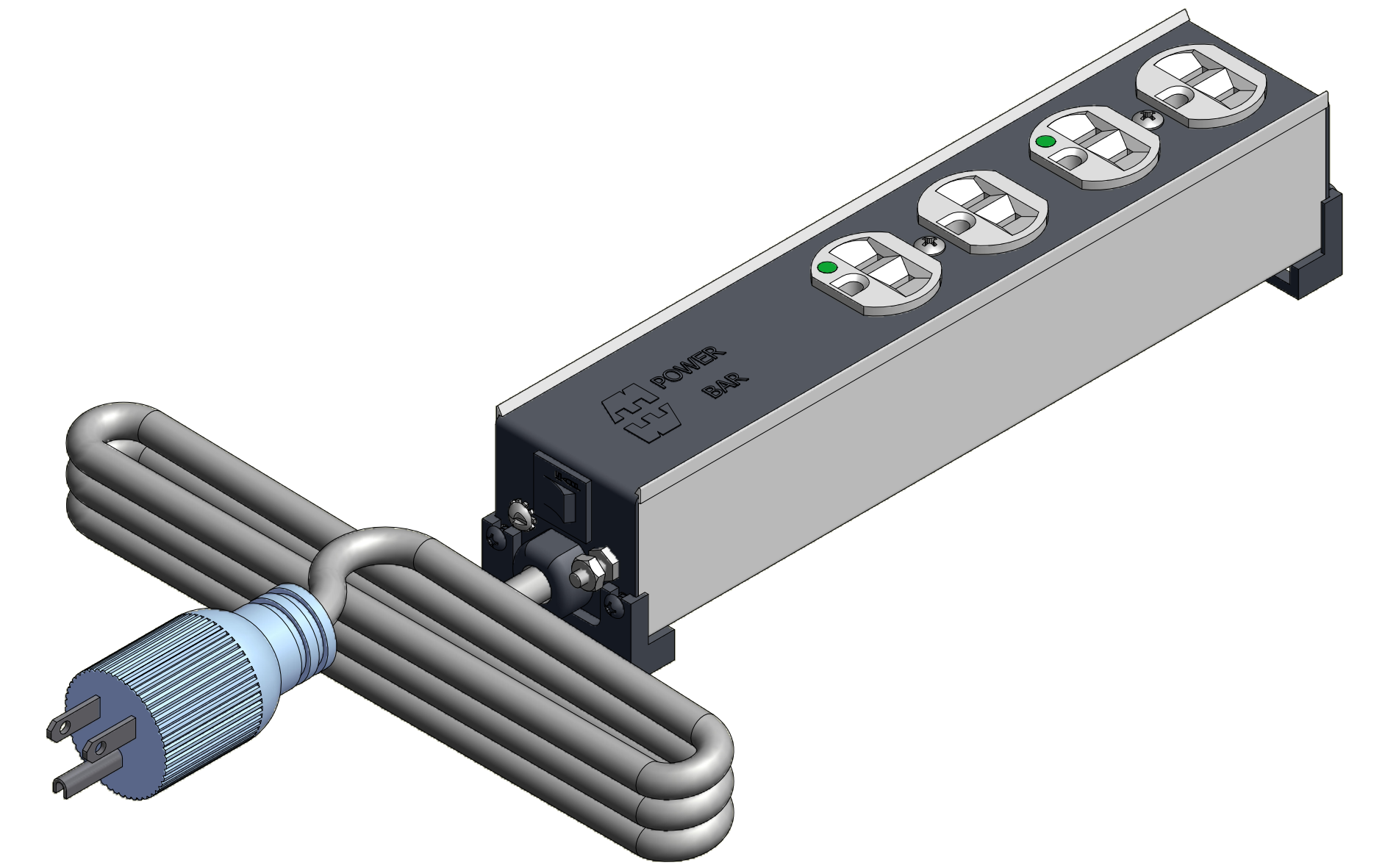
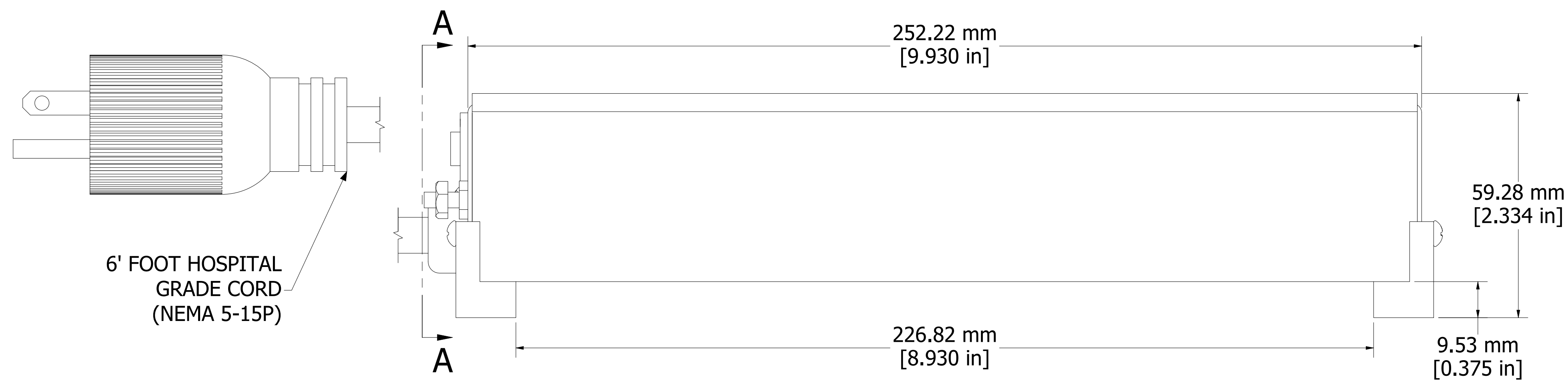


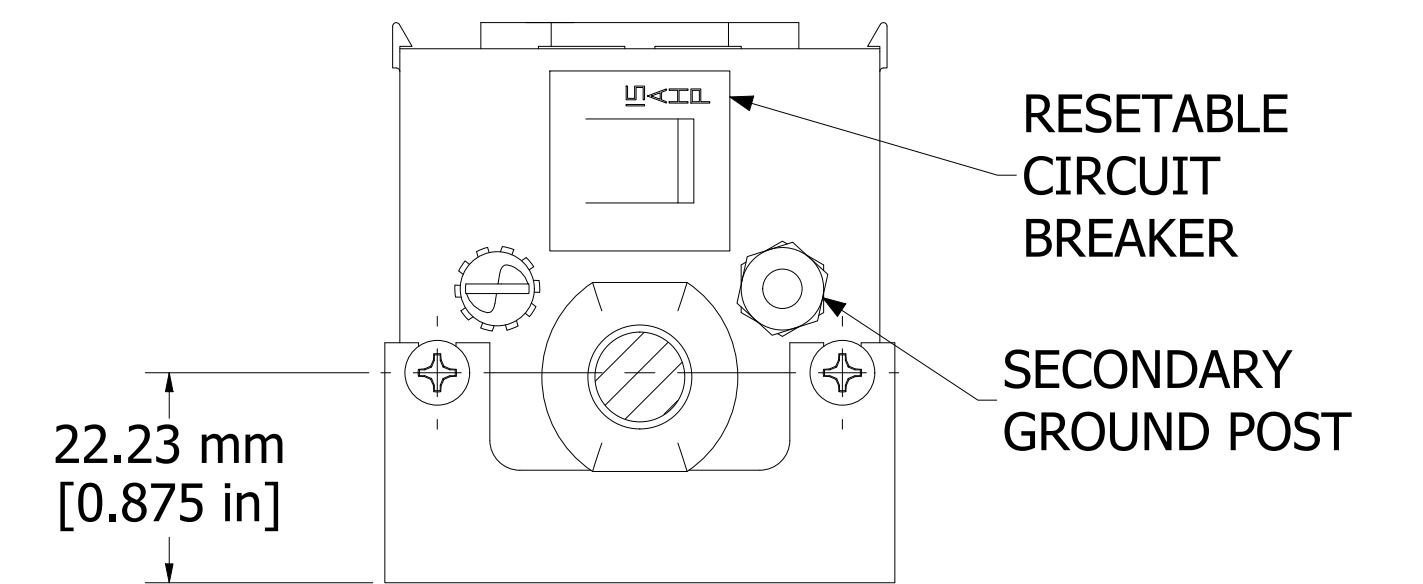
ASSEMBLY - VIEW FROM TOP



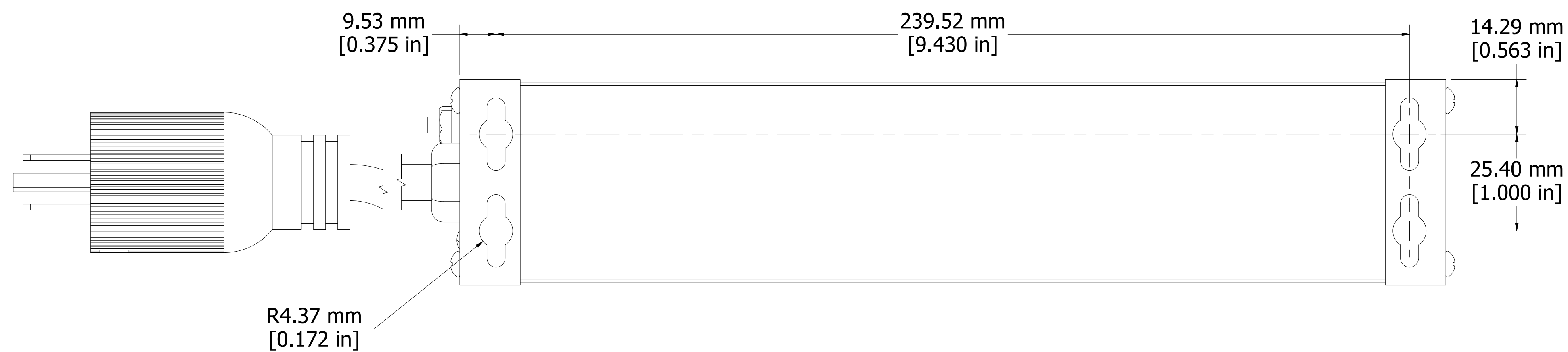
ISOMETRIC VIEW



ASSEMBLY - VIEW FROM SIDE



SECTION A-A



ASSEMBLY - VIEW FROM BOTTOM

<b>1584T4DH6</b>
Finish - Top - Black Painted Steel
Bottom - Aluminum Extrusion
Rated - 120 VAC, 60 Hz, 15 Amps
Approvals - CSA Certified Standards C22.2 (No. 21-95, 42-99), Cord Sets no. 8 - Hospital Grade Powerbars
- TUVus Certified to UL60601-1 & UL1363



**HAMMOND  
MANUFACTURING™**

**1584T4DH6**

[www.hammondmfg.com](http://www.hammondmfg.com)

