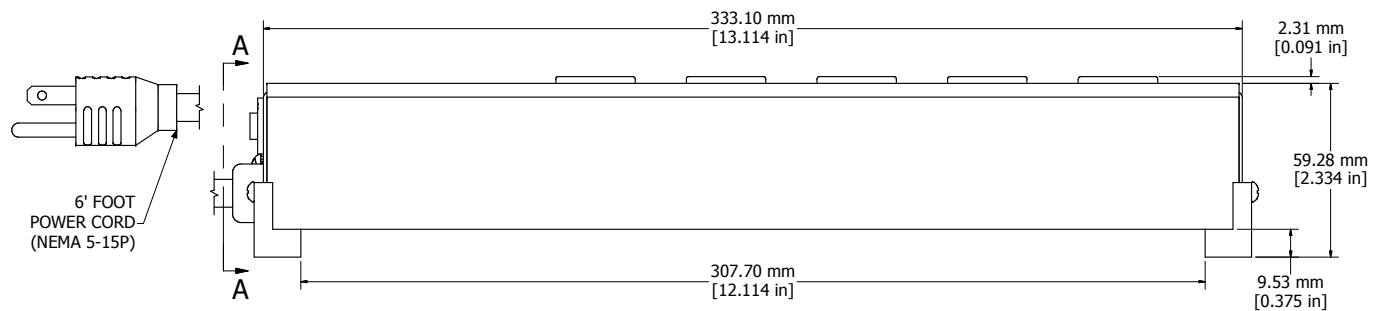
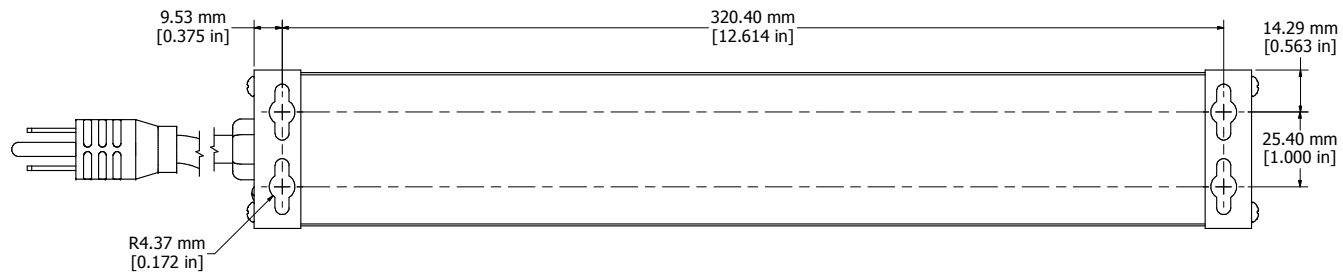


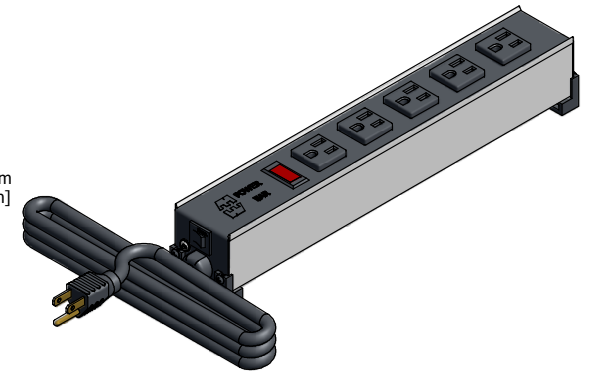
ASSEMBLY - VIEW FROM TOP



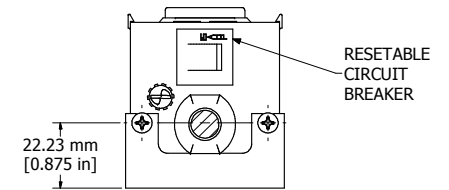
ASSEMBLY - VIEW FROM SIDE



ASSEMBLY - VIEW FROM BOTTOM



ISOMETRIC VIEW



SECTION A-A

1584T5A1

Finish - Top - Black Painted Steel

Bottom - Aluminum Extrusion

Rated - 120 VAC, 60 Hz, 15 Amps

Approvals - CSA Certified Standards C22.2 (No. 21-95, 42-99)

- UL Listed, Standard UL1363



HAMMOND
MANUFACTURING™

1584T5A1

www.hammondmfg.com