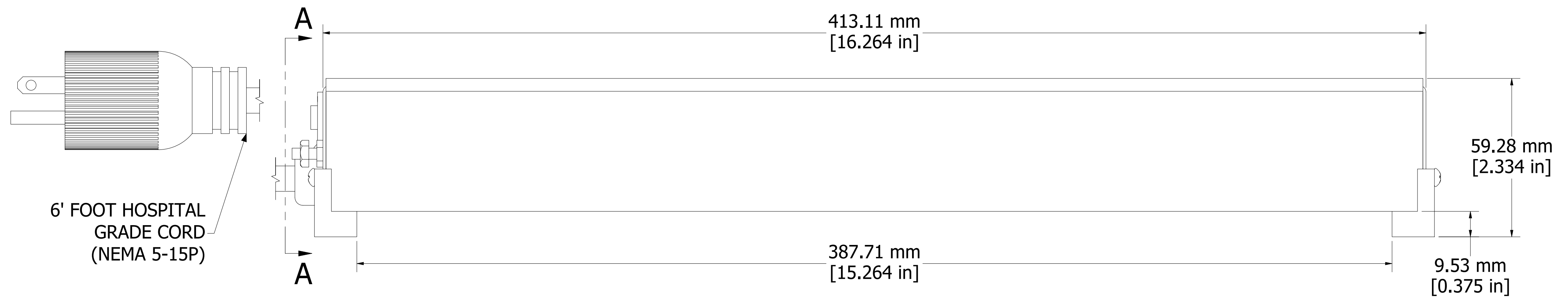


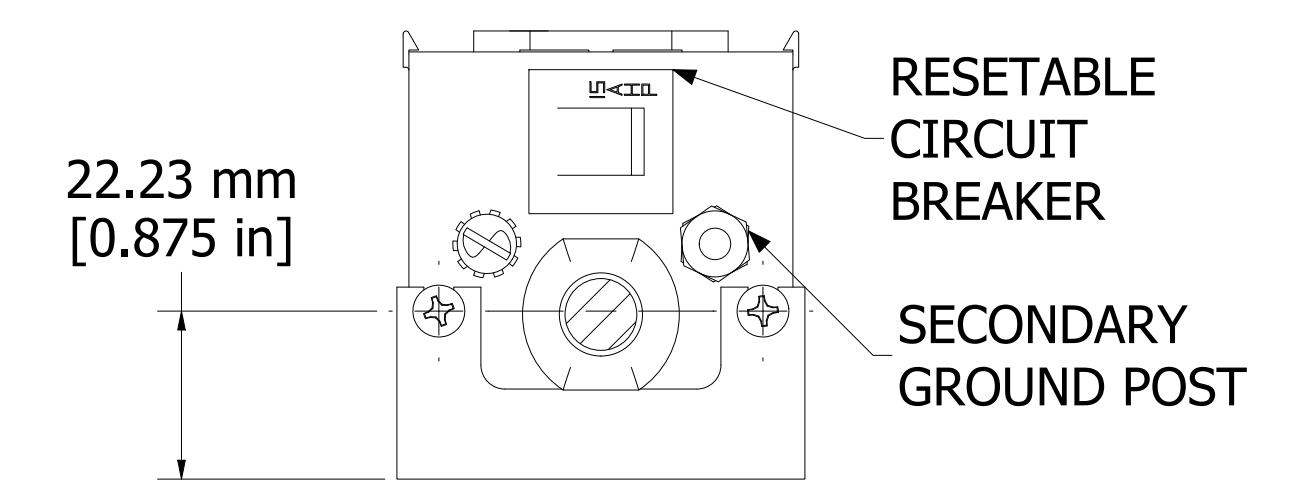
ASSEMBLY - VIEW FROM TOP



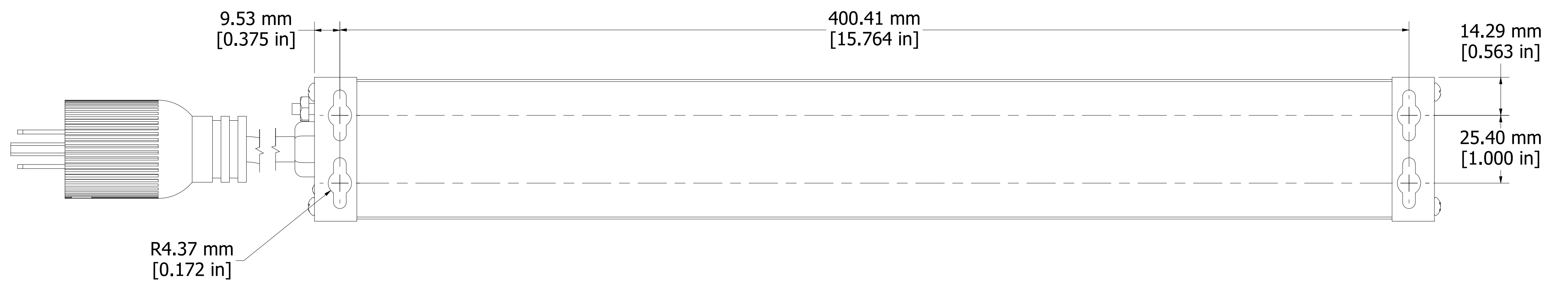
ISOMETRIC VIEW



ASSEMBLY - VIEW FROM SIDE



SECTION A-A



ASSEMBLY - VIEW FROM BOTTOM

|   |
|---|
| <b>1584T8DH6</b>  |
| Finish - Top - Black Painted Steel                            |
| Bottom - Aluminum Extrusion                                   |
| Rated - 120 VAC, 60 Hz, 15 Amps                               |
| Approvals - CSA Certified Standards C22.2 (No. 21-95, 42-99), |
| Cord Sets no. 8 - Hospital Grade Powerbars                    |
| - TUVus Certified to UL60601-1 & UL1363                       |



**HAMMOND  
MANUFACTURING™**

**1584T8DH6**

www.hammondmfg.com