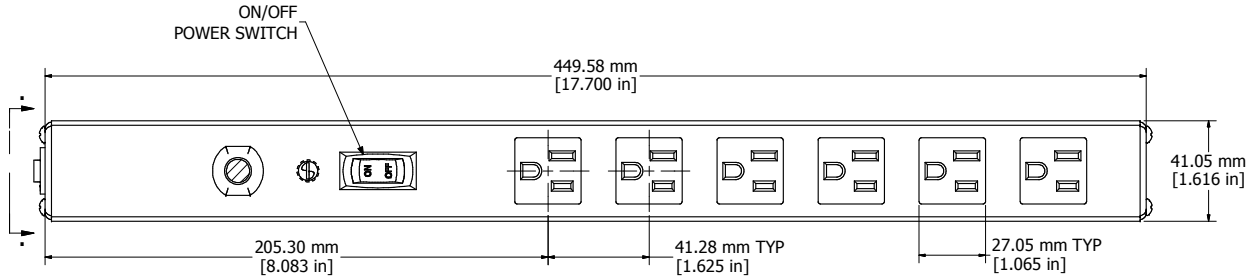
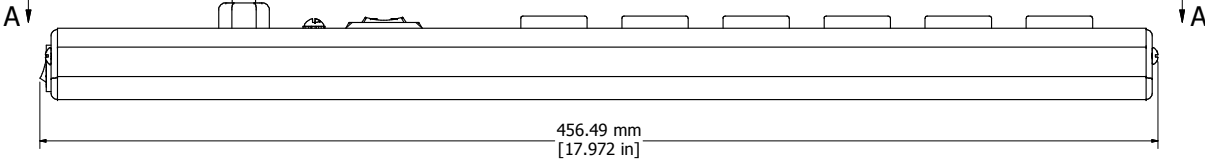
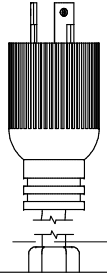


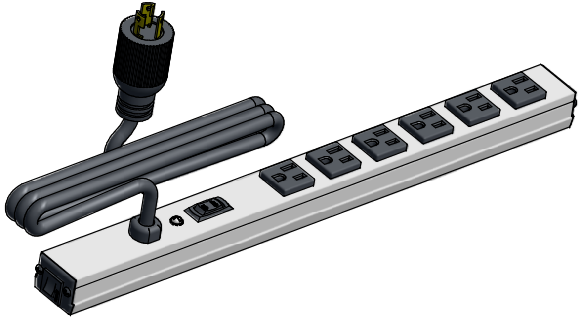
8 | 7 | 6 | 5 | 4 | 3 | 2 | 1



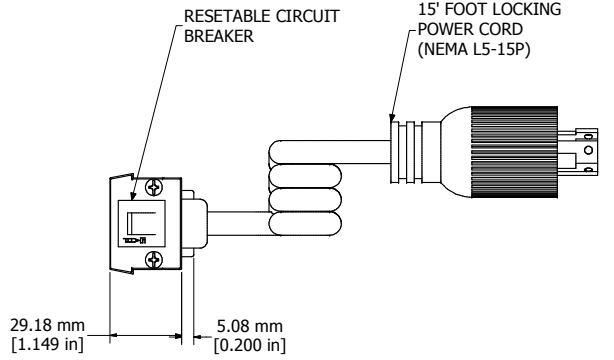
SECTION A-A
(VIEW FROM FRONT)



ASSEMBLY - VIEW FROM SIDE



ISOMETRIC VIEW



ASSEMBLY - VIEW FROM END

8 | 7 | 6 | 5 | 4 | 3 | 2 | 1

15851H6D1
Finish - Case - Anodized Aluminum Extrusion
Ends - ABS Plastic
Rated - 125 VAC, 60 Hz, 15 Amps
Approvals - CSA Certified Standards C22.2 (No. 21-95, 42-99) - UL Listed Standard UL1363
Accessories Included
Mounting Bracket Kit with Hardware



**HAMMOND
MANUFACTURING™**

15851H6D1

www.hammondmfg.com