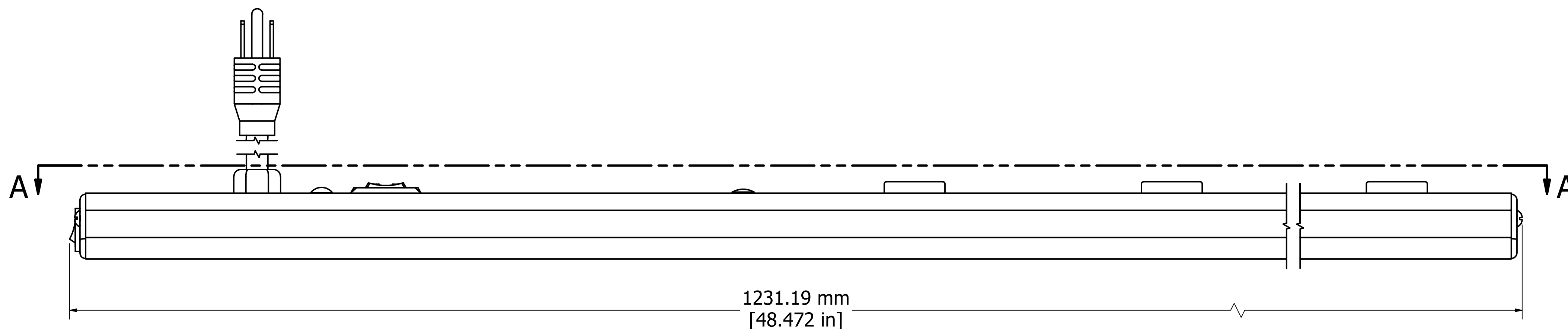
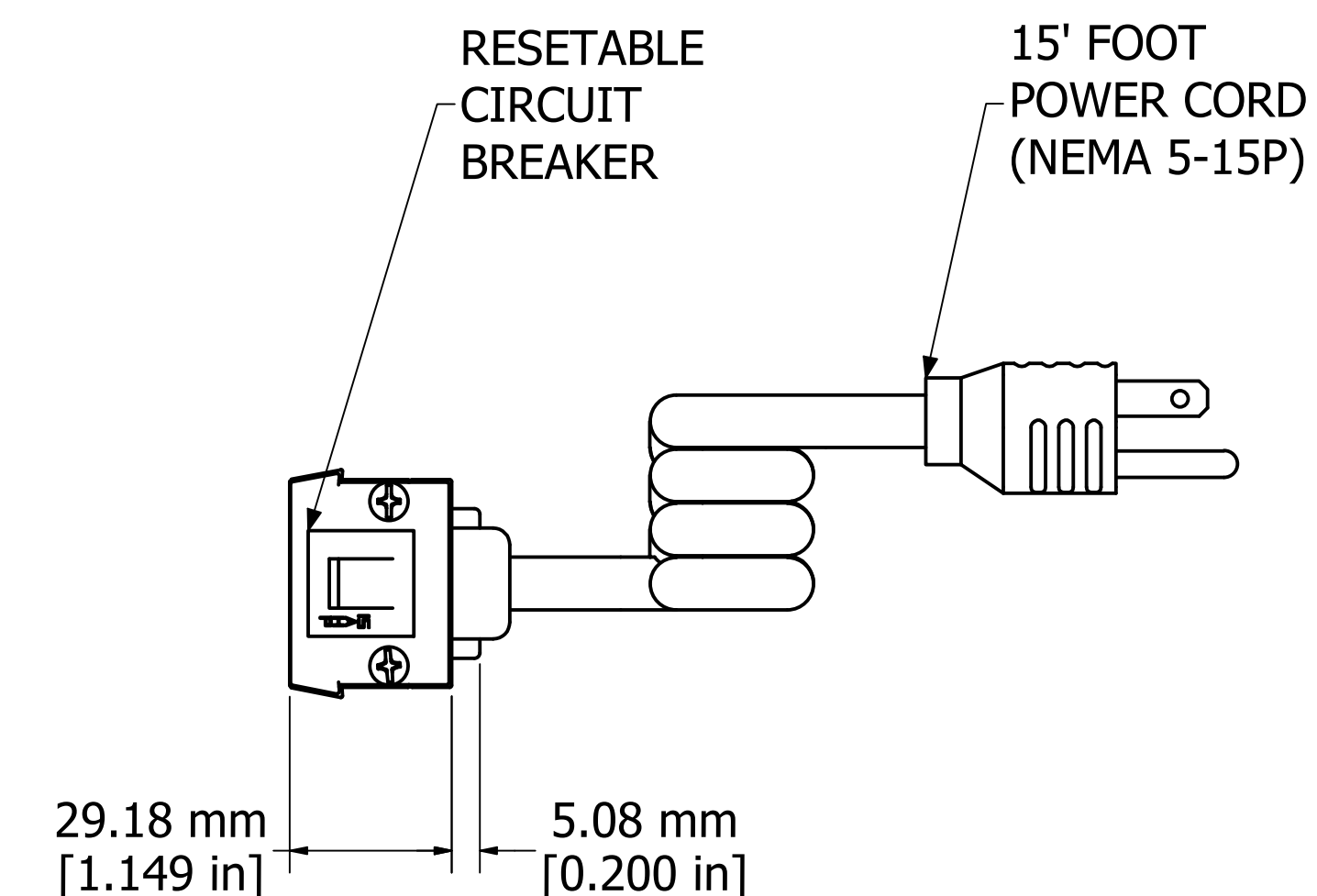


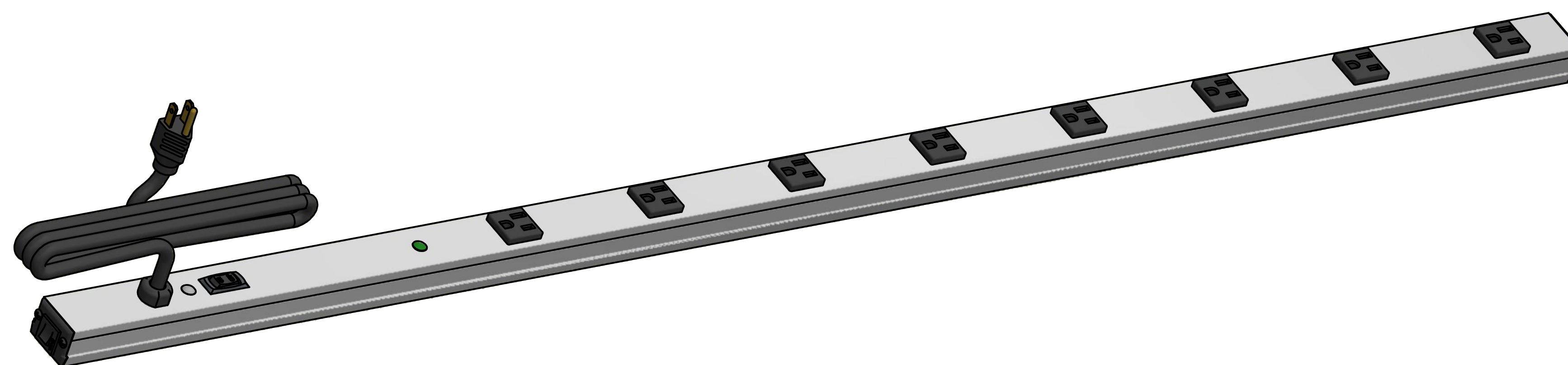
SECTION A-A
(VIEW FROM FRONT)



ASSEMBLY - VIEW FROM SIDE



ASSEMBLY - VIEW FROM END



ISOMETRIC VIEW

1585H8B1S

Finish - Case - Anodized Aluminum Extrusion

Ends - ABS Plastic

Rated - 125 VAC, 60 Hz, 15 Amps

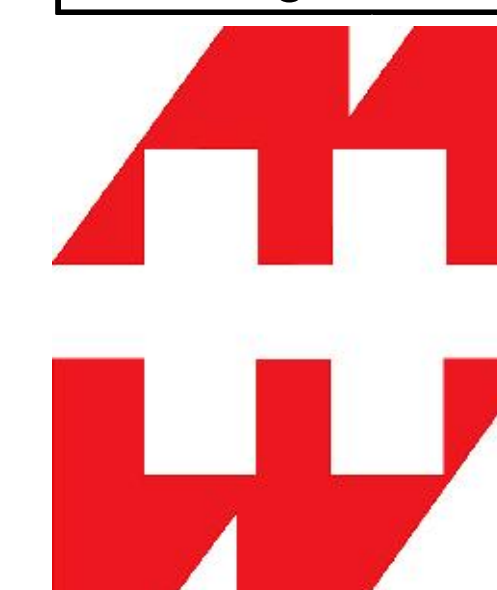
Approvals - cULus Listed to: UL1449 & C22.2 No. 269.3-17

Surge Specs - 1080 Joules, 75000 Amps Transient Current

- 500V Voltage Protection Rating (VPR)

Accessories Included

Mounting Bracket Kit with Hardware



**HAMMOND
MANUFACTURING™**

1585H8B1S

www.hammondmfg.com