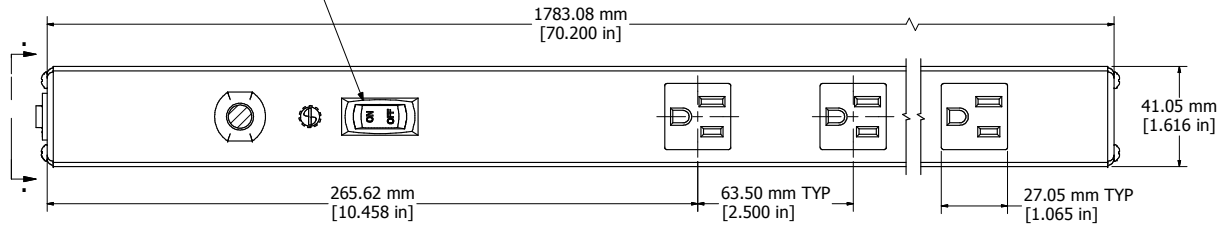
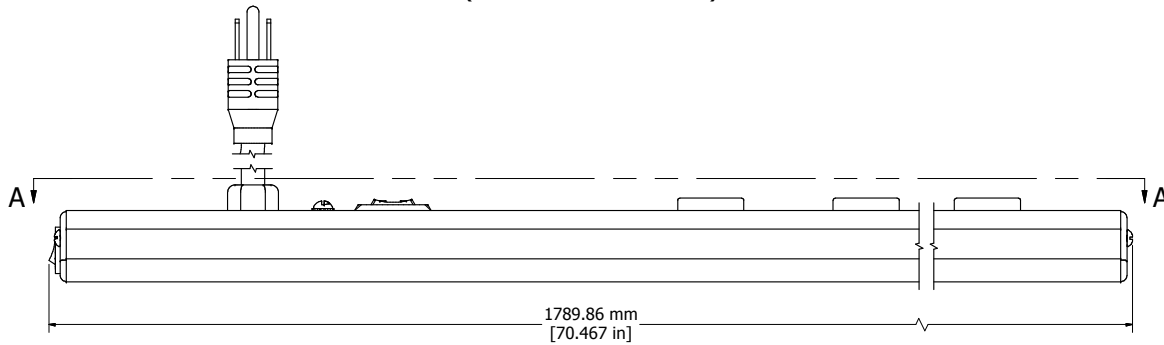


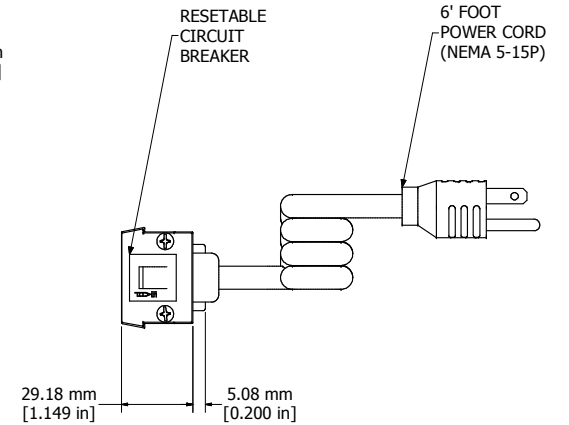
ON/OFF
POWER SWITCH



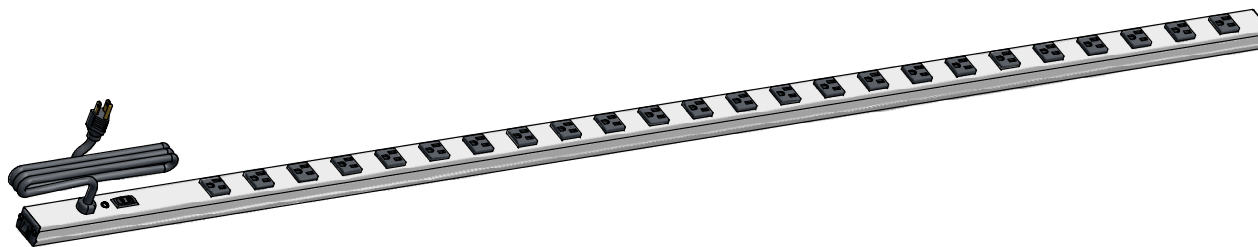
SECTION A-A
(VIEW FROM FRONT)



ASSEMBLY - VIEW FROM SIDE



ASSEMBLY - VIEW FROM END



ISOMETRIC VIEW

1587H24A1

Finish - Case - Anodized Aluminum Extrusion

Ends - ABS Plastic

Rated - 125 VAC, 60 Hz, 15 Amps

Approvals - CSA Certified Standards C22.2 (No. 21-95, 42-99)

- UL Listed Standard UL1363

Accessories Included

Mounting Bracket Kit with Hardware



HAMMOND
MANUFACTURING™

1587H24A1

www.hammondmfg.com