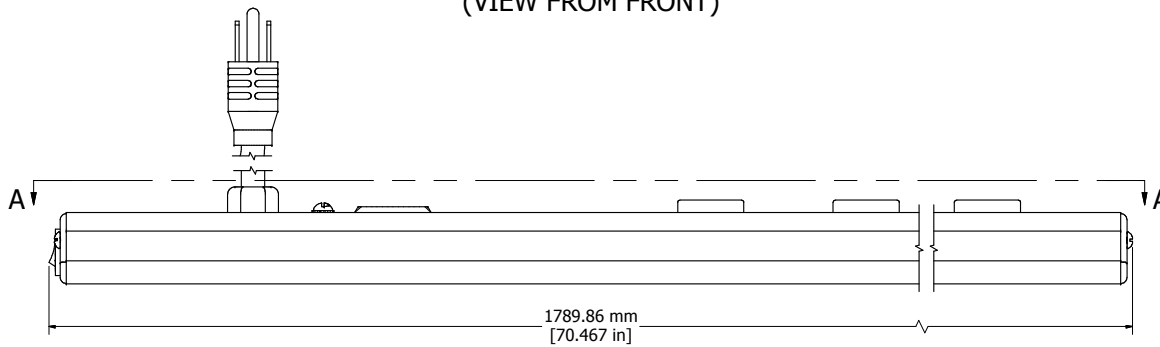
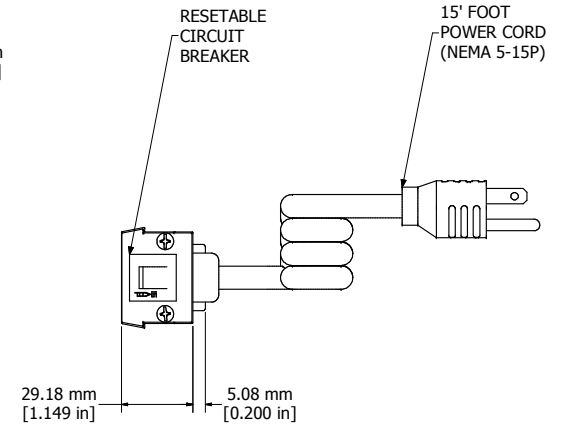


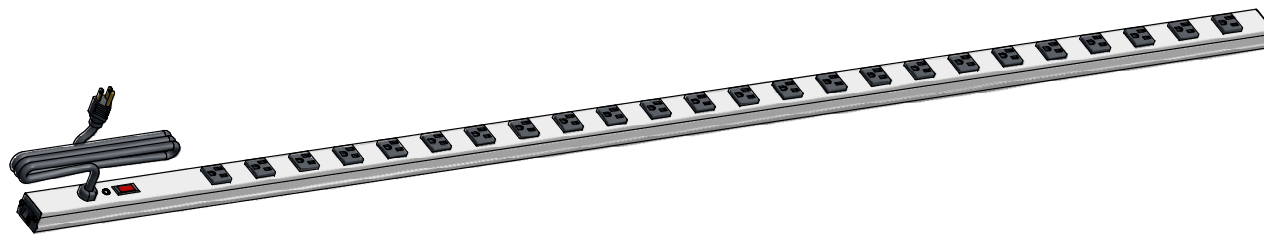
SECTION A-A  
(VIEW FROM FRONT)



ASSEMBLY - VIEW FROM SIDE



ASSEMBLY - VIEW FROM END



ISOMETRIC VIEW

**1587T24B1**

- Finish - Case - Anodized Aluminum Extrusion
- Ends - ABS Plastic
- Rated - 125 VAC, 60 Hz, 15 Amps
- Approvals - CSA Certified Standards C22.2 (No. 21-95, 42-99)
- UL Listed Standard UL1363

**Accessories Included**

- Mounting Bracket Kit with Hardware



**HAMMOND  
MANUFACTURING™**

**1587T24B1**

[www.hammondmfg.com](http://www.hammondmfg.com)