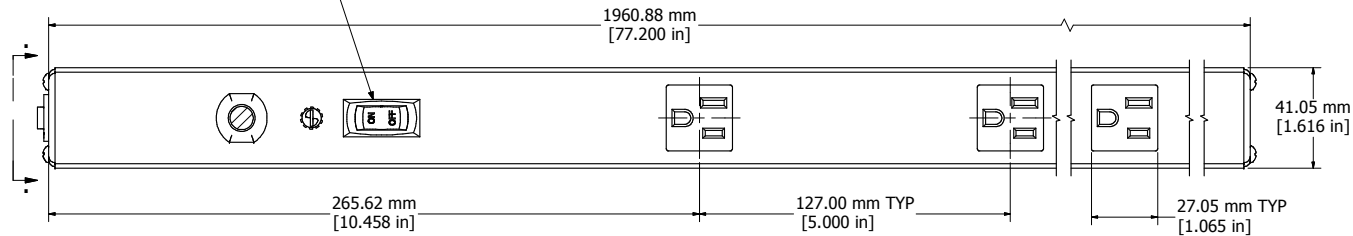
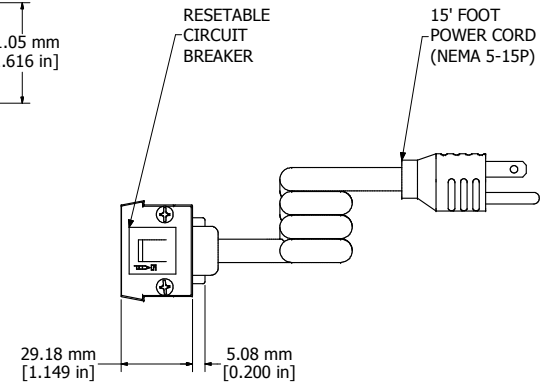


8 | 7 | 6 | 5 | 4 | 3 | 2 | 1

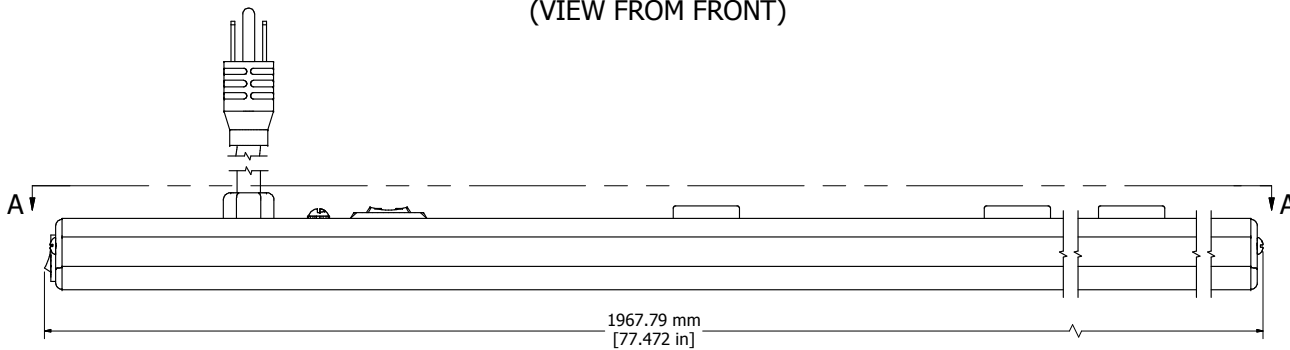
ON/OFF
POWER SWITCH



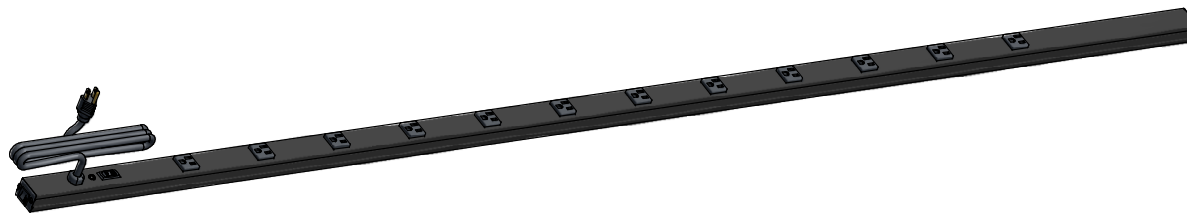
SECTION A-A
(VIEW FROM FRONT)



ASSEMBLY - VIEW FROM END



ASSEMBLY - VIEW FROM SIDE



ISOMETRIC VIEW

1588H12B1BK
Finish - Case - Black Painted Aluminum Extrusion
Ends - ABS Plastic
Rated - 125 VAC, 60 Hz, 15 Amps
Approvals - CSA Certified Standards C22.2 (No. 21-95, 42-99)
- UL Listed Standard UL1363
Accessories Included
Mounting Bracket Kit with Hardware

**HAMMOND
MANUFACTURING™**

1588H12B1BK

www.hammondmfg.com

8 | 7 | 6 | 5 | 4 | 3 | 2 | 1