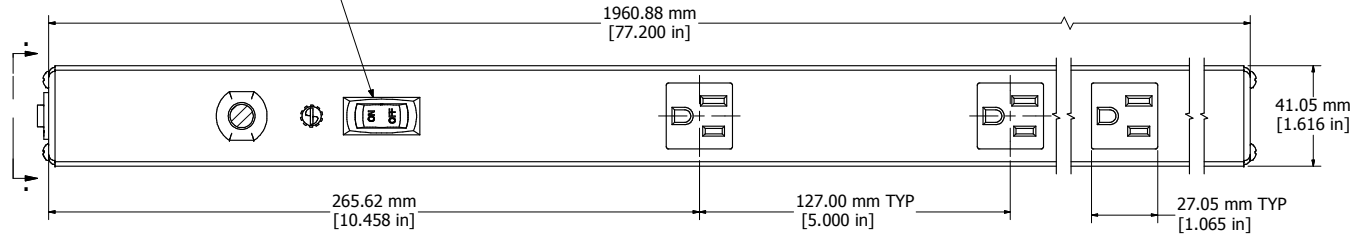
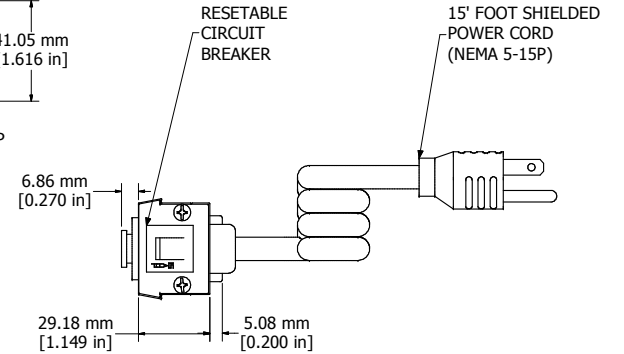


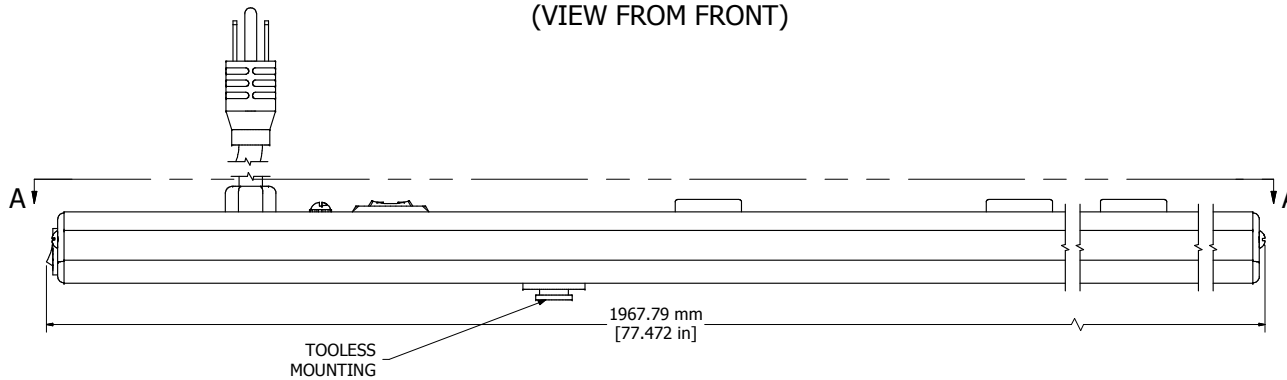
ON/OFF  
POWER SWITCH



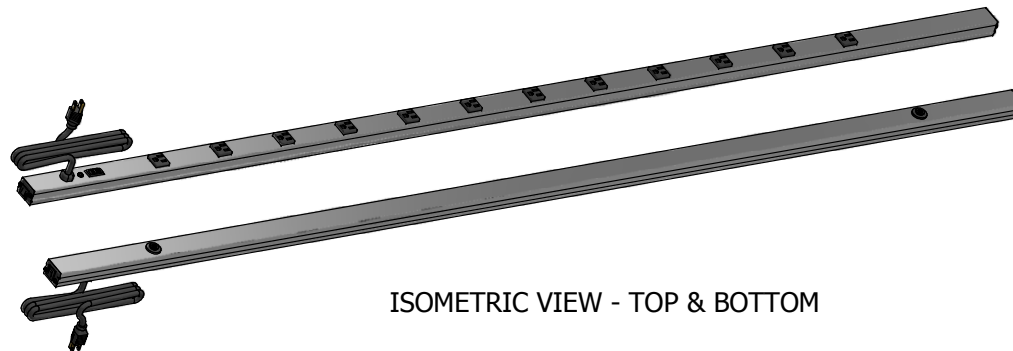
SECTION A-A  
(VIEW FROM FRONT)



ASSEMBLY - VIEW FROM END



ASSEMBLY - VIEW FROM SIDE



ISOMETRIC VIEW - TOP & BOTTOM

**1588H12B1JV**

Finish - Case - Anodized Aluminum Extrusion

Ends - ABS Plastic

Shielded Cord - 100% Aluminum Foil Coverage  
- 20 Gauge Drain Wire

Rated - 125 VAC, 60 Hz, 15 Amps

Approvals - cULus Listed Standard UL1363

C22.2 No. 308-14 & C22.2 No. 0.4-04

**Accessories Included**

Tooless Mounting with Hardware Kits



**HAMMOND  
MANUFACTURING™**

**1588H12B1JV**

www.hammondmfg.com