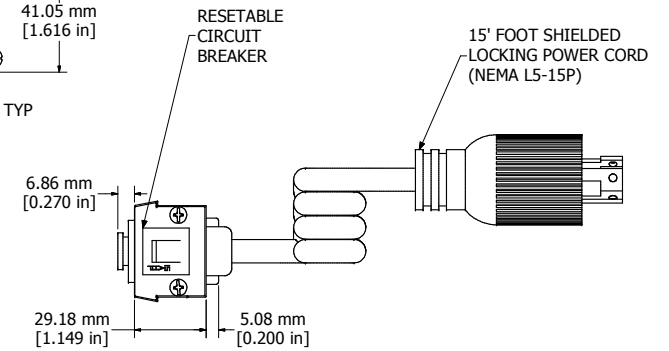
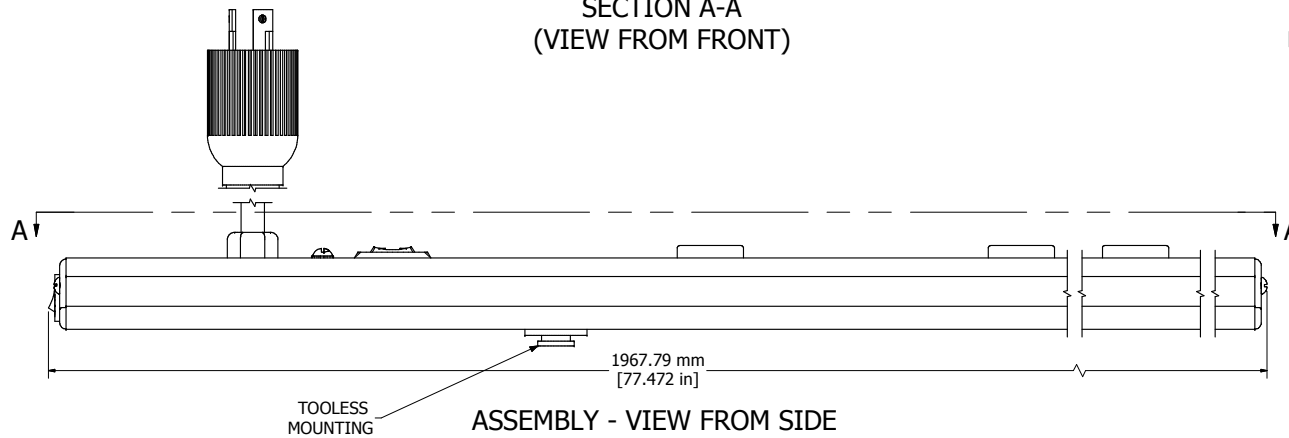


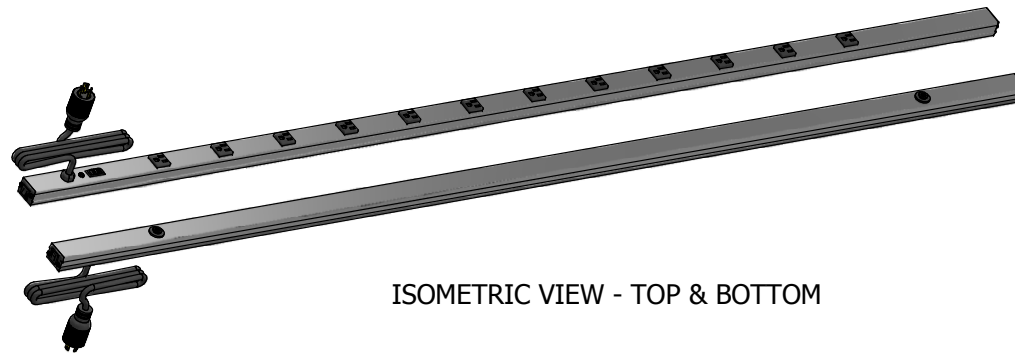
SECTION A-A  
(VIEW FROM FRONT)



ASSEMBLY - VIEW FROM END



ASSEMBLY - VIEW FROM SIDE



ISOMETRIC VIEW - TOP & BOTTOM

<b>1588H12D1JV</b>
Finish - Case - Anodized Aluminum Extrusion
Ends - ABS Plastic
Shielded Cord - 100% Aluminum Foil Coverage - 20 Gauge Drain Wire
Rated - 125 VAC, 60 Hz, 15 Amps
Approvals - cULus Listed Standard UL1363 C22.2 No. 308-14 & C22.2 No. 0.4-04
<b>Accessories Included</b>
Tooless Mounting with Hardware Kits

