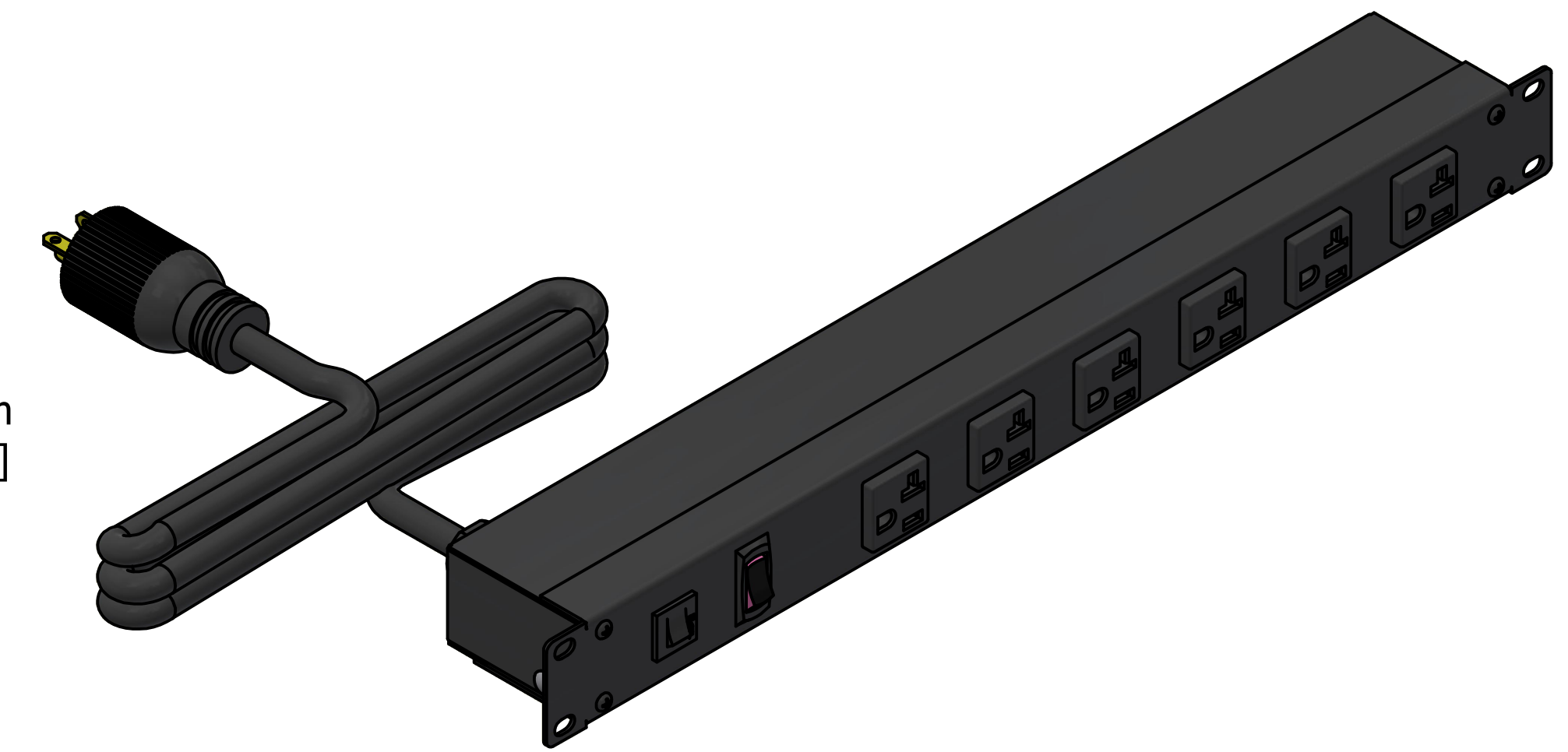
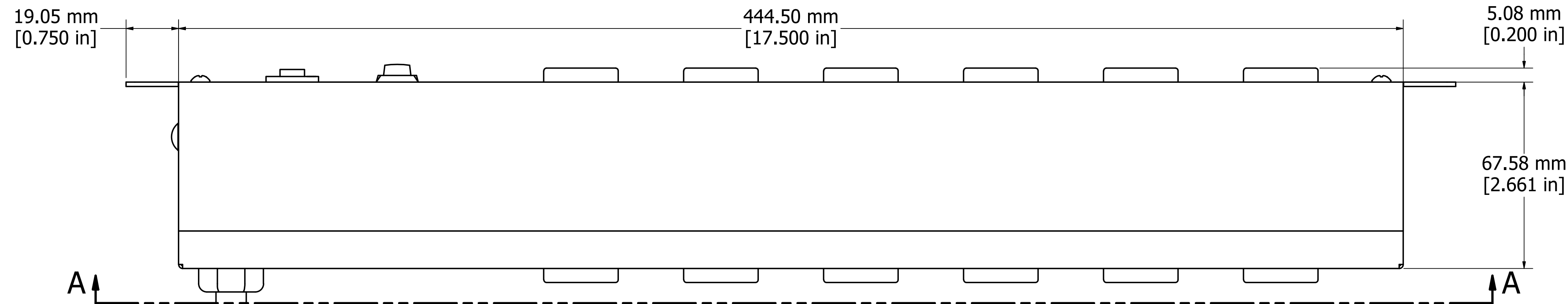


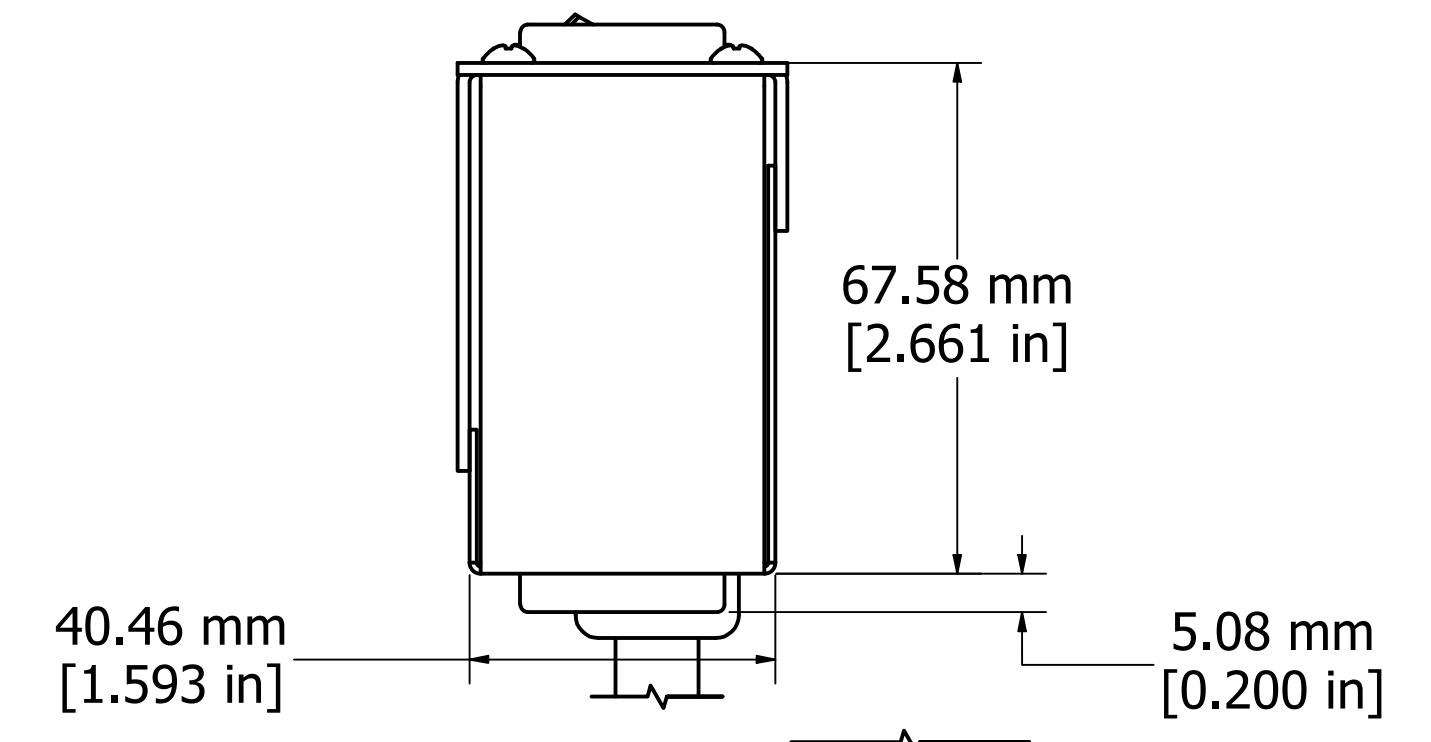
ASSEMBLY - VIEW FROM FRONT



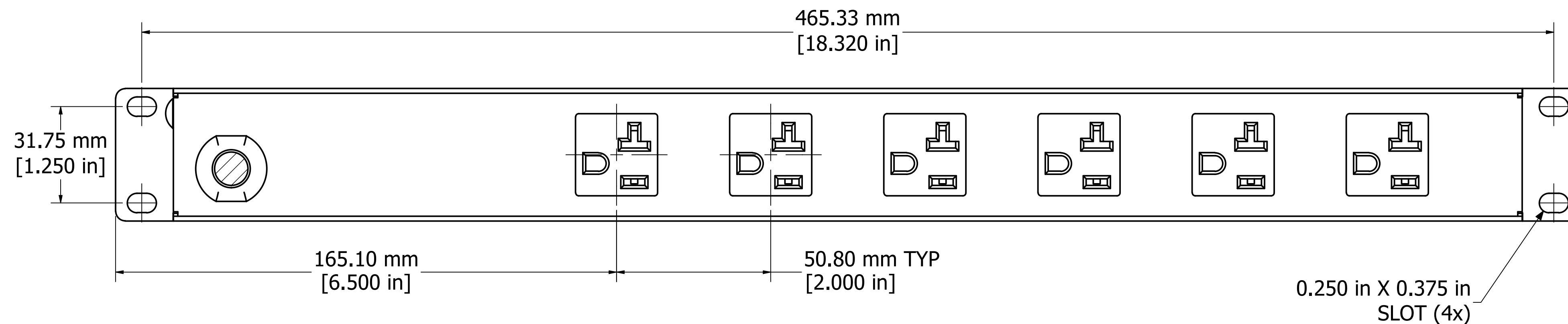
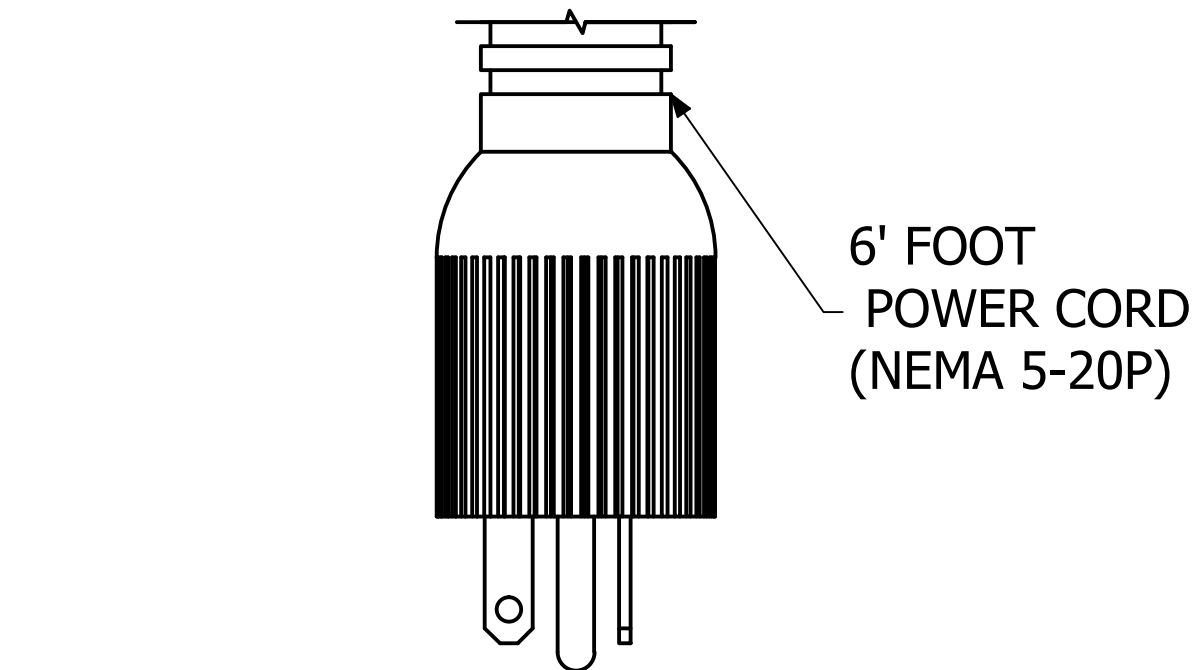
ISOMETRIC VIEW



ASSEMBLY - VIEW FROM BOTTOM



ASSEMBLY - VIEW FROM SIDE



SECTION A-A

1589H12F1BKX
Finish - Front - Black Painted Steel
Back - Black Painted Steel
Rated - 125 VAC, 60 Hz, 20 Amps
Approvals - CSA Certified Standards C22.2 (No. 21-95, 42-99)
- UL Recognized Standard UL1363



**HAMMOND
MANUFACTURING™**

1589H12F1BKX

www.hammondmfg.com