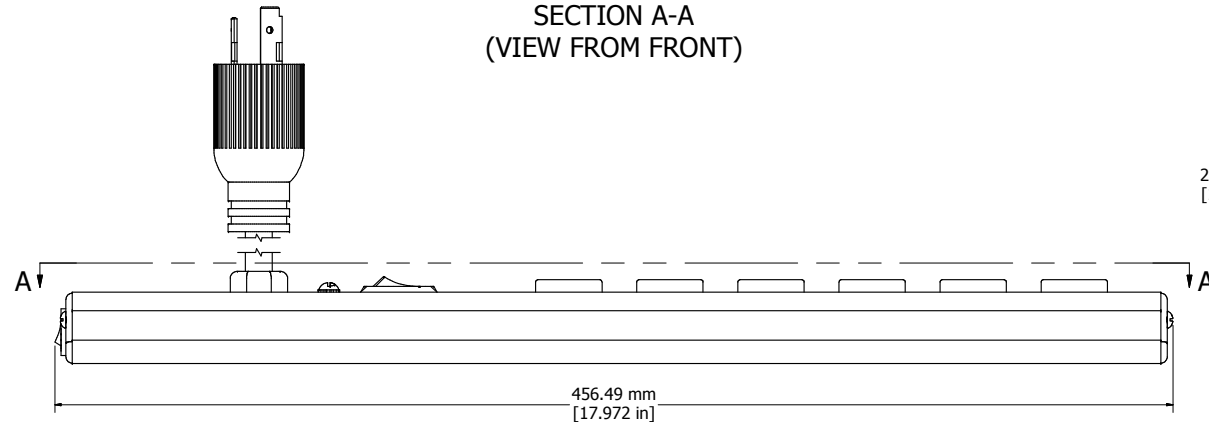
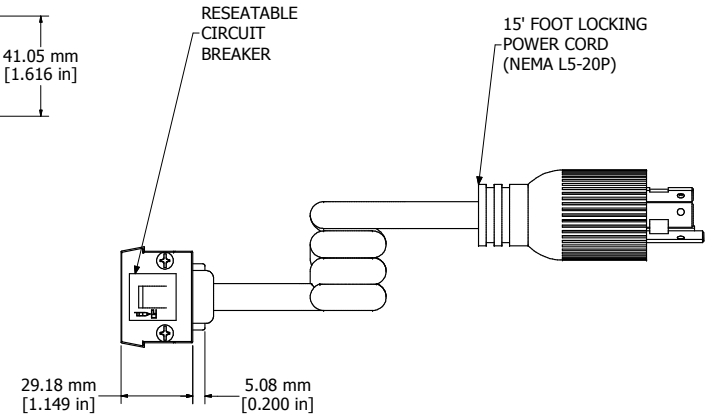
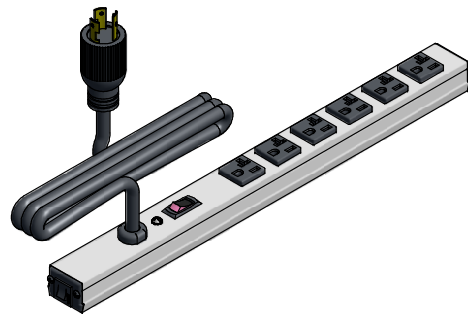


SECTION A-A
(VIEW FROM FRONT)



ASSEMBLY - VIEW FROM SIDE



ASSEMBLY - VIEW FROM END

1589H18D1
Finish - Case - Anodized Aluminum Extrusion
Ends - ABS Plastic
Rated - 125 VAC, 60 Hz, 20 Amps
Approvals - CSA Certified Standards C22.2 (No. 21-95, 42-99)
- UL Listed Standard UL1363
Accessories Included
Mounting Bracket Kit with Hardware

HAMMOND MANUFACTURING™

1589H18D1

www.hammondmfg.com