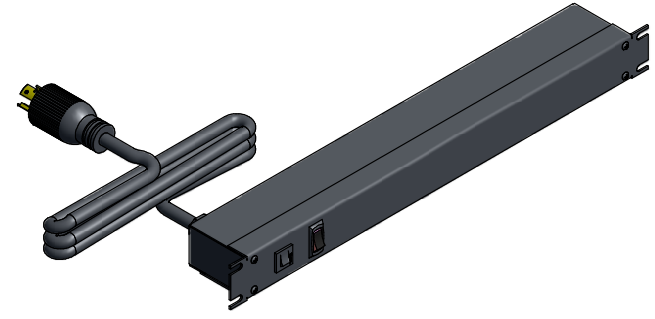
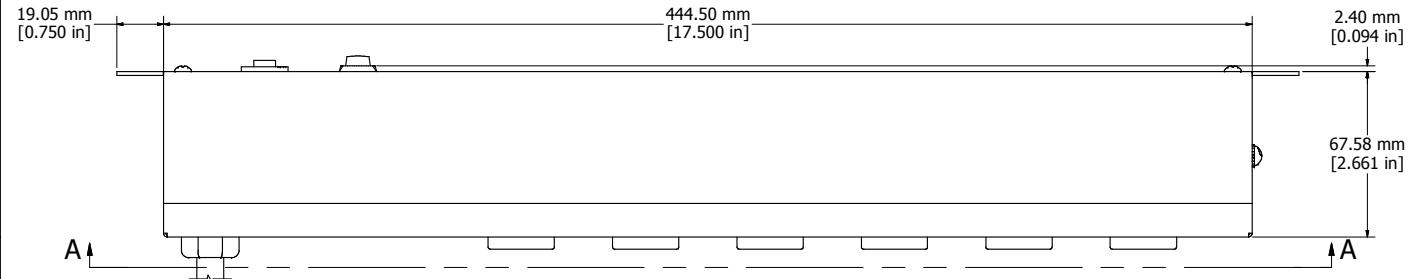


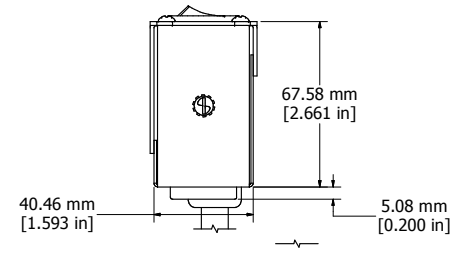
ASSEMBLY - VIEW FROM FRONT



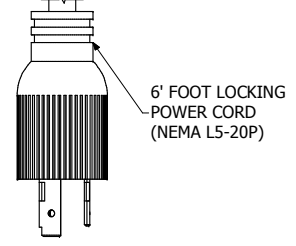
ISOMETRIC VIEW



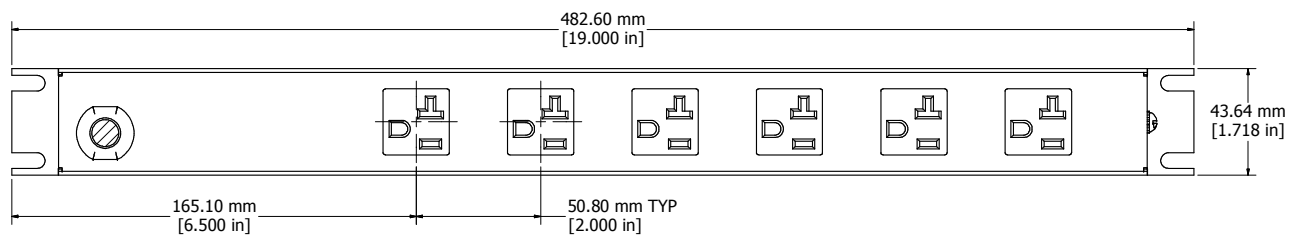
ASSEMBLY - VIEW FROM BOTTOM



ASSEMBLY - VIEW FROM SIDE



6' FOOT LOCKING POWER CORD (NEMA L5-20P)



SECTION A-A

1589H6C1BKRR
Finish - Front - Black Painted Steel
Back - Black Painted Steel
Rated - 125 VAC, 60 Hz, 20 Amps
Approvals - CSA Certified Standards C22.2 (No. 21-95, 42-99)
- UL Recognized Standard UL 1363

HAMMOND MANUFACTURING™
1589H6C1BKRR
www.hammondmfg.com