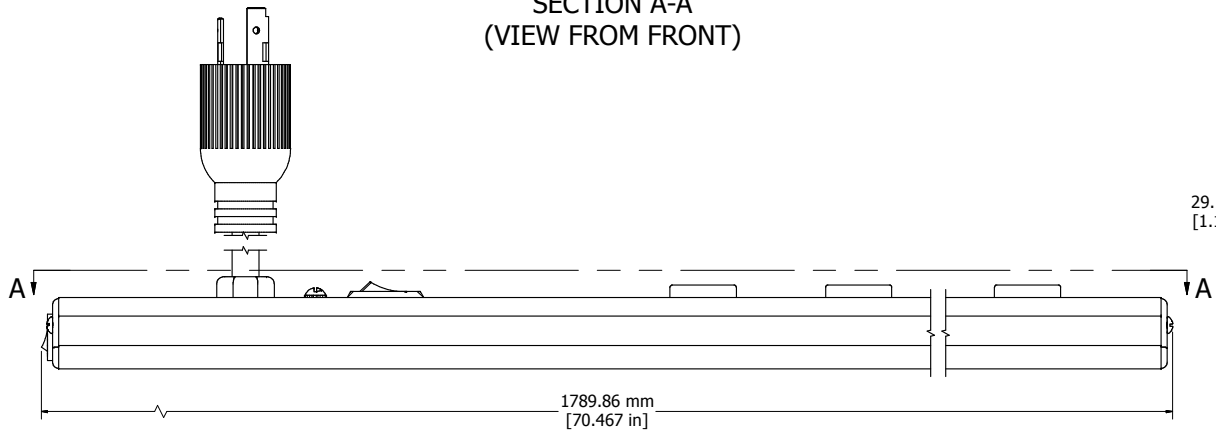
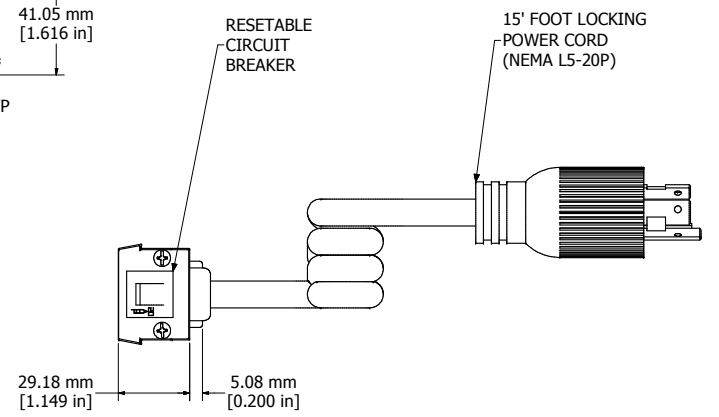


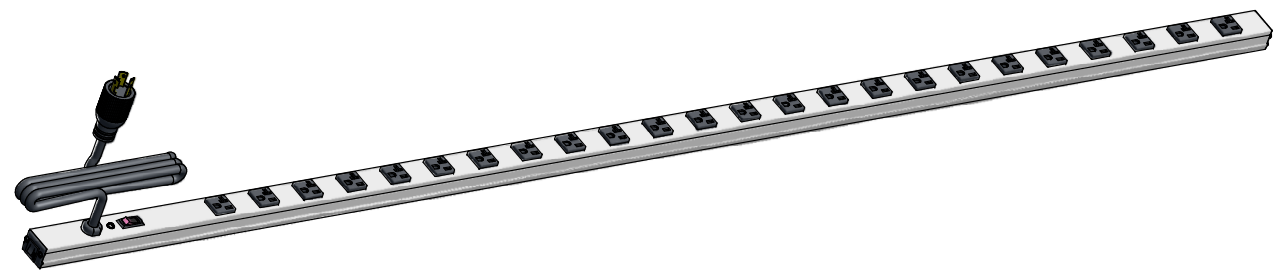
SECTION A-A
(VIEW FROM FRONT)



ASSEMBLY - VIEW FROM SIDE



ASSEMBLY - VIEW FROM END



ISOMETRIC VIEW

| |
|--|
| 1589H70D124 |
| Finish - Case - Anodized Aluminum Extrusion |
| Ends - ABS Plastic |
| Rated - 125 VAC, 60 Hz, 20 Amps |
| Approvals - CSA Certified Standards C22.2 (No. 21-95, 42-99) |
| - UL Listed Standard UL1363 |
| Accessories Included |
| Mounting Bracket Kit with Hardware |

**HAMMOND
MANUFACTURING™**
1589H70D124
www.hammondmfg.com