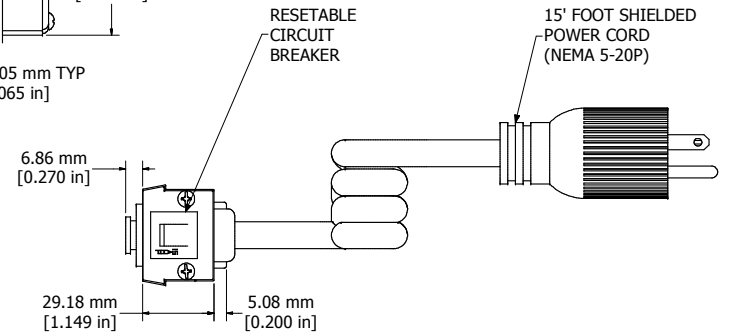
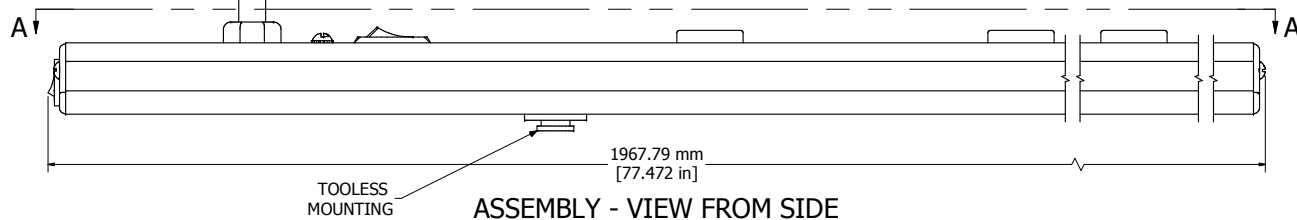


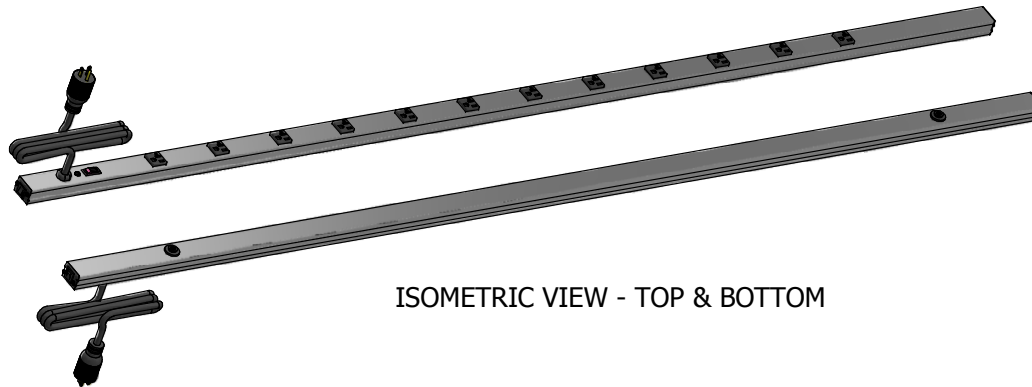
SECTION A-A
(VIEW FROM FRONT)



ASSEMBLY - VIEW FROM END



ASSEMBLY - VIEW FROM SIDE



ISOMETRIC VIEW - TOP & BOTTOM

1589H77G1JV
Finish - Case - Anodized Aluminum Extrusion
Ends - ABS Plastic
Shielded Cord - 100% Aluminum Foil Coverage - 20 Gauge Drain Wire
Rated - 125 VAC, 60 Hz, 20 Amps
Approvals - cULus Listed Standard UL1363 C22.2 No. 308-14
Accessories Included
Tooless Mounting with Hardware Kits

