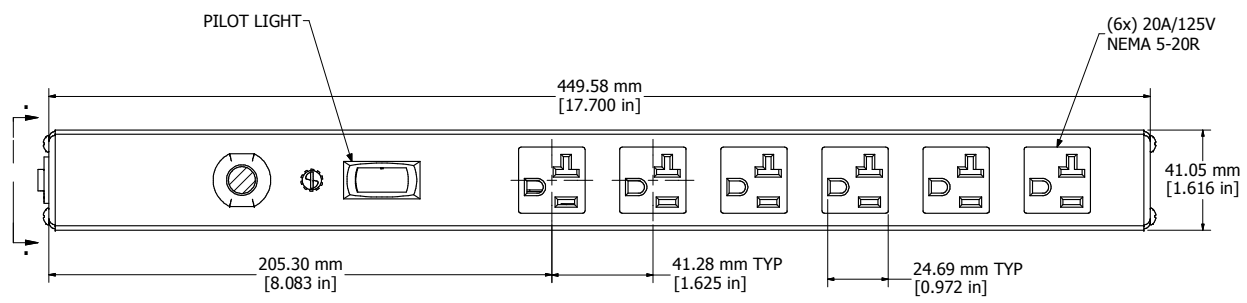
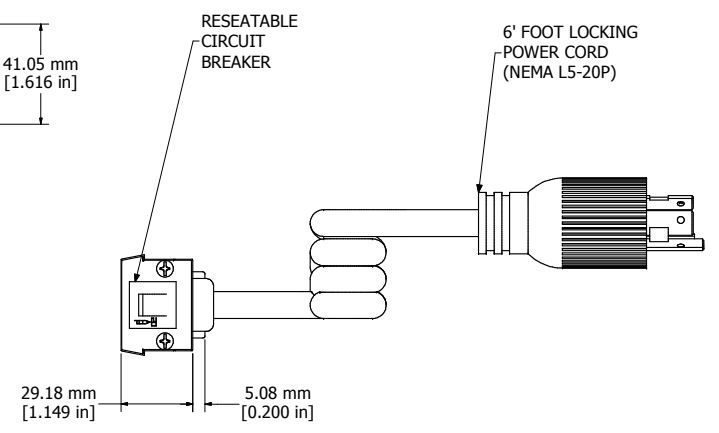


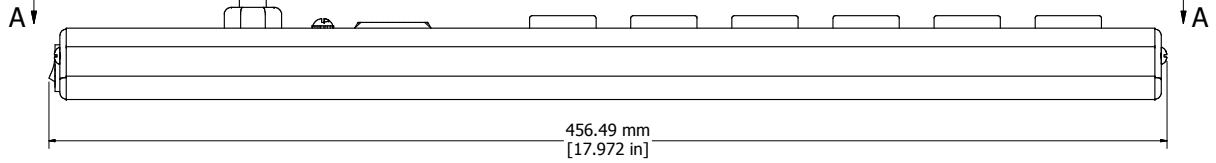
8 | 7 | 6 | 5 | 4 | 3 | 2 | 1



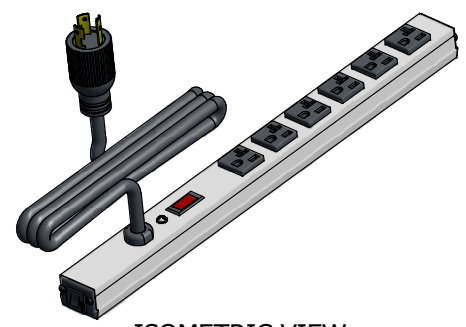
SECTION A-A  
(VIEW FROM FRONT)



ASSEMBLY - VIEW FROM END



ASSEMBLY - VIEW FROM SIDE



ISOMETRIC VIEW

|  |
|--|
| <b>1589T18C1</b>   |
| Finish - Case - Anodized Aluminum Extrusion                  |
| Ends - ABS Plastic   |
| Rated - 125 VAC, 60 Hz, 20 Amps                              |
| Approvals - CSA Certified Standards C22.2 (No. 21-95, 42-99) |
| - UL Listed Standard UL1363                                  |
| <b>Accessories Included</b>                                  |
| Mounting Bracket Kit with Hardware                           |

**HAMMOND MANUFACTURING™**

**1589T18C1**

www.hammondmfg.com

8 | 7 | 6 | 5 | 4 | 3 | 2 | 1