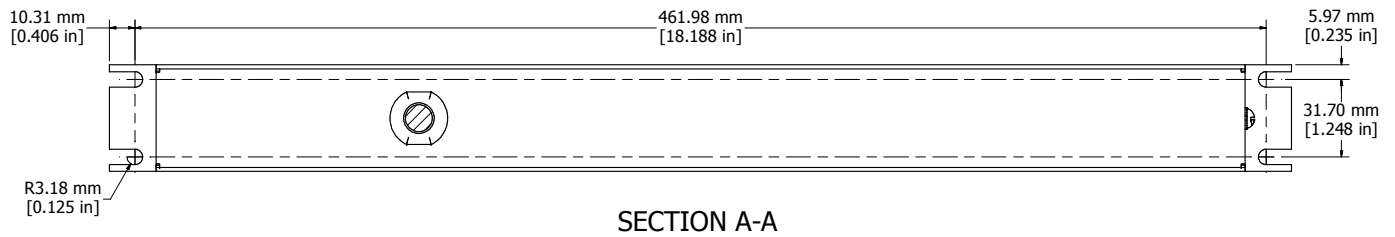
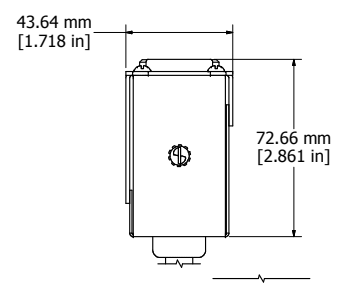
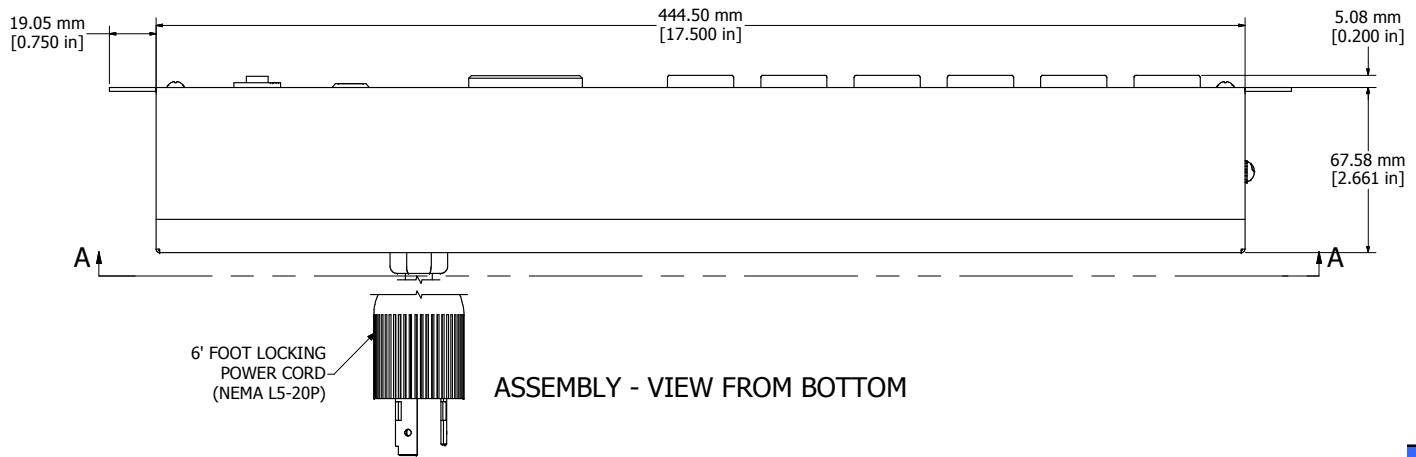
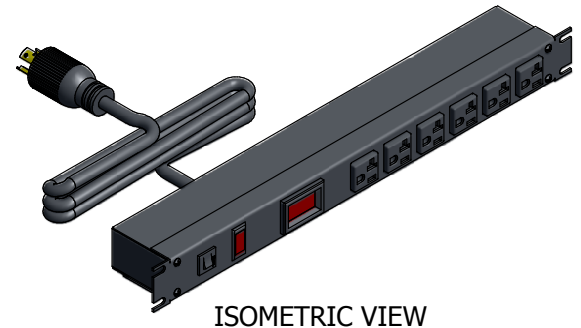
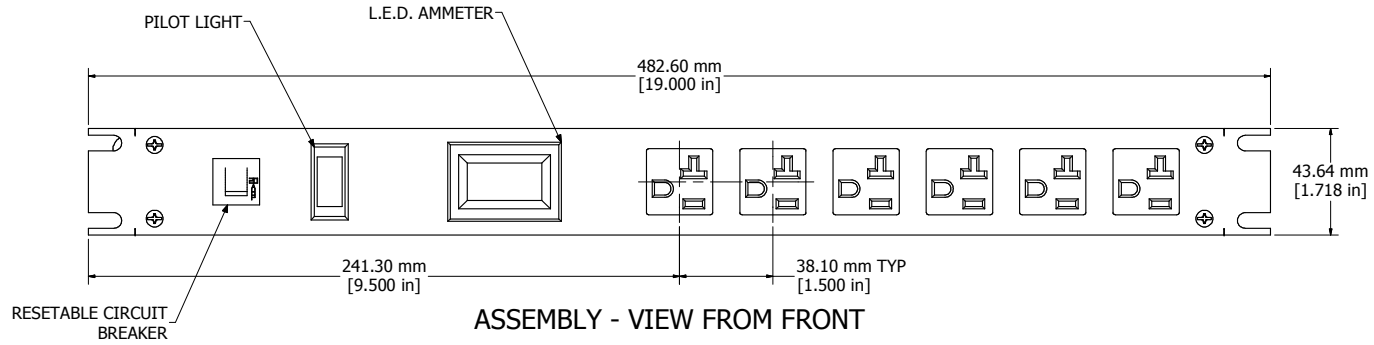


8 | 7 | 6 | 5 | 4 | 3 | 2 | 1



1589T6C1BKRFAM
Finish - Front - Black Painted Steel
Back - Black Painted Steel
Rated - 125 VAC, 60 Hz, 20 Amps
Approvals - cURus Recognized to Standard UL1363 & CSA
C22.2 No. 21-95

HAMMOND MANUFACTURING™

1589T6C1BKRFAM

www.hammondmfg.com

8 | 7 | 6 | 5 | 4 | 3 | 2 | 1