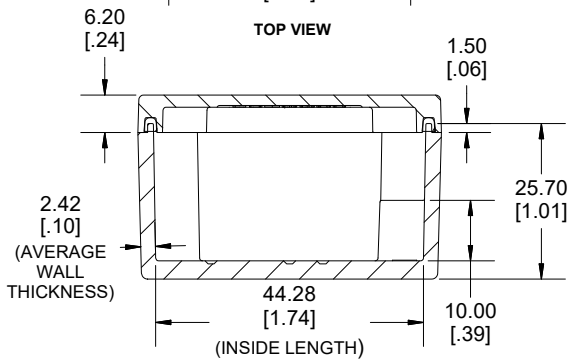
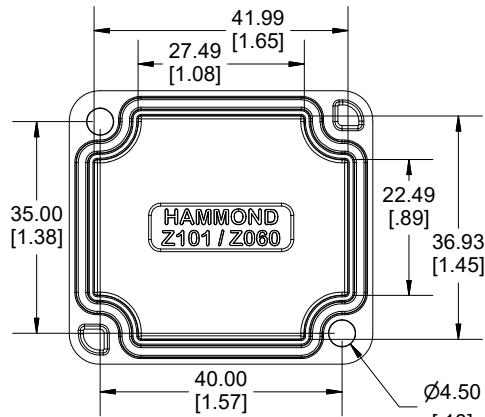


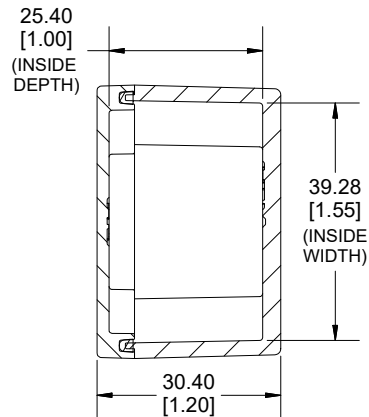
TOP VIEW



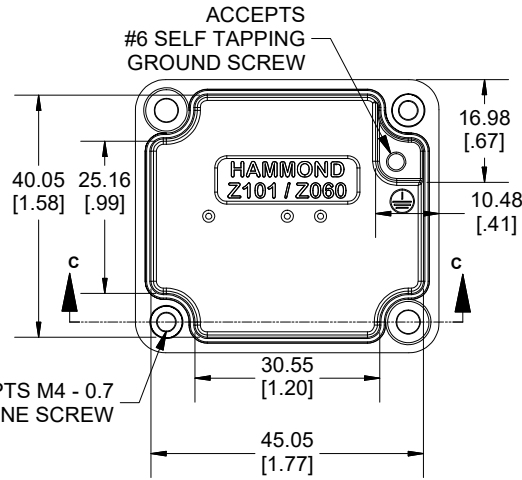
SECTION B-B
SIDE VIEW



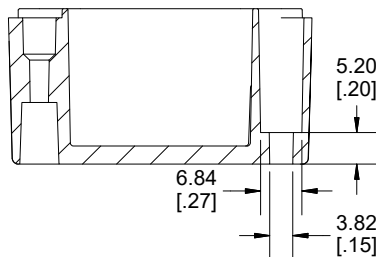
INSIDE LID



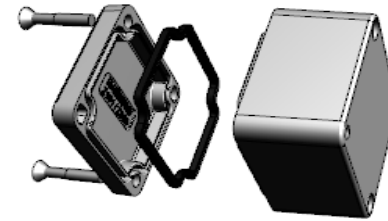
SECTION A-A
END VIEW



INSIDE BOX



SECTION C-C
MOUNTING HOLE



Enclosures can be Factory Modified (Milling, Drilling, Printing etc.)
 Contact Factory (modshop@hammfg.com) for quotes
 Solid models of this enclosure available in .stp or .x_t
 (Part number and text placement/orientation on our products are subject to change,
 we do not recommend using them as a locating reference for modification purposes)

NOTE

Purchased assembly includes box, lid, silicone gasket,
 2 cover screws and 1 ground screws with washers.
 Box and lid are made from Diecast Aluminum Alloy.

Recommended cover screw Torque 6.6-8.8 lbf.in (75-100 cN.m)

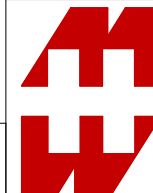
1590Z060

1590Z060 Enclosure

Natural Enclosure	1590Z060
Black Enclosure	1590Z060BK
Grey Enclosure - RAL7001 Gloss	1590Z060GY

ACCESSORIES

Pre-Formed Silicone Gasket (2 Pack)	1590Z060G
Ground Hardware (50 Pack) [Copper #6-32X5/16 Self-Tapping / #6 Bronze lock Washer]	SCG060-50
Stainless Steel Cover screws (50 pkg) [M4 - 0.7 x 20mm]	SC1550Z103-50



**HAMMOND
MANUFACTURING.**

1590Z060

www.hammondmfg.com

Dimensions:
mm
[inches]