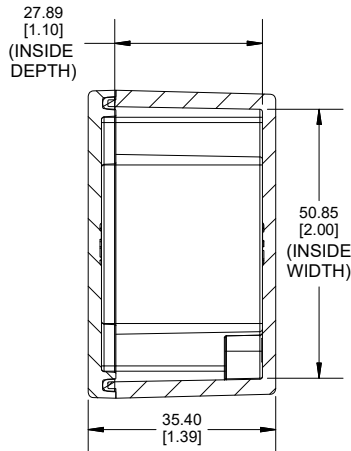
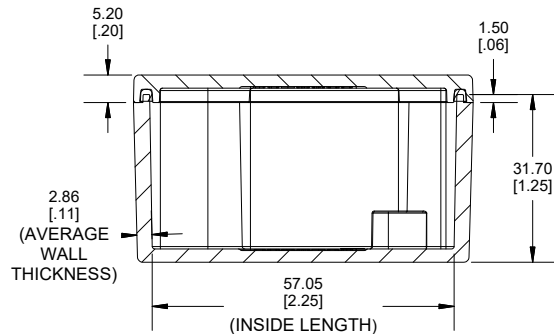
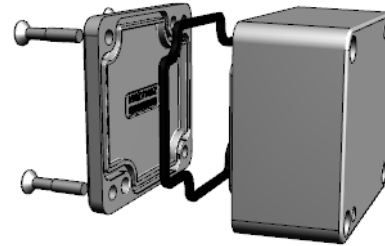


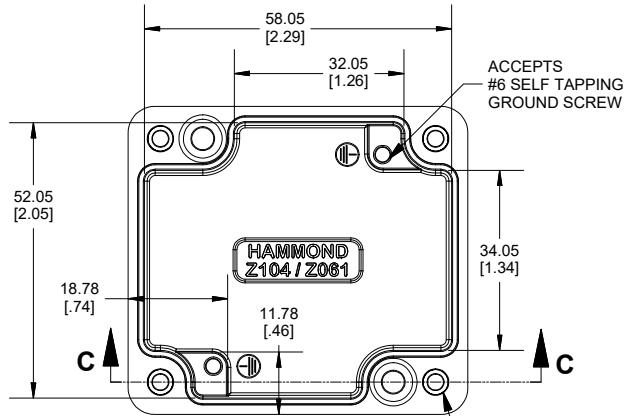
**TOP VIEW**



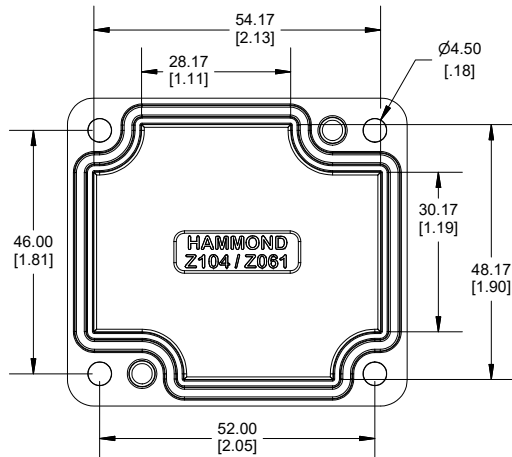
**SECTION A-A  
END VIEW**



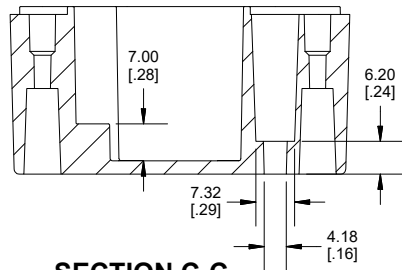
**SECTION B-B  
SIDE VIEW**



**INSIDE BOX**



**INSIDE LID**



**SECTION C-C  
MOUNTING HOLE**



Enclosures can be Factory Modified (Milling, Drilling, Printing etc.)  
 Contact Factory (modshop@hammfg.com) for quotes  
 Solid models of this enclosure available in .stp or .x\_t  
 (Part number and text placement/orientation on our products are subject to change,  
 we do not recommend using them as a locating reference for modification purposes)

**NOTE**  
 Purchased assembly includes box, lid, silicone gasket,  
 4 cover screws and 2 ground screws with washers.  
 Box and lid are made from Diecast Aluminum Alloy.  
**Recommended cover screw Torque 6.6-8.8 lbf.in (75-100 cN.m)**

|  |               |
|--|---------------|
| <b>1590Z061</b>  |               |
| <b>1590Z061 Enclosure</b>  |               |
| Natural Enclosure  | 1590Z061      |
| Black Enclosure  | 1590Z061BK    |
| Grey Enclosure - RAL7001 Gloss   | 1590Z061GY    |
| <b>ACCESSORIES</b>   |               |
| Pre-Formed Silicone Gasket (2 Pack)  | 1590Z061G     |
| Ground Hardware (50 Pack)<br>[Copper #6-32X5/16 Self-Tapping /<br>#6 Bronze lock Washer] | SCG060-50     |
| Stainless Steel Cover screws (50 pkg)<br>[M4 - 0.7 x 20mm]                               | SC1550Z103-50 |

Dimensions:  
mm  
[inches]

**HAMMOND  
MANUFACTURING®**  
**1590Z061**  
 www.hammondmfg.com