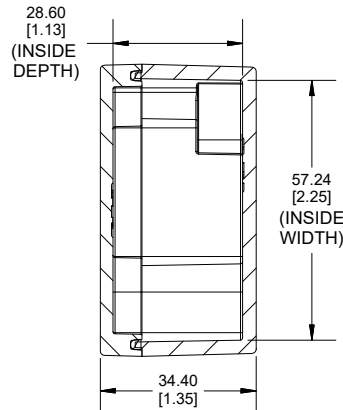
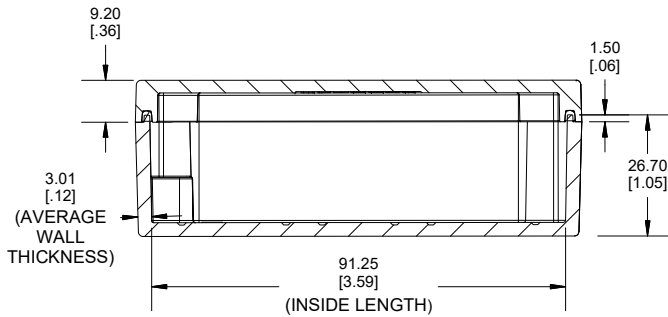
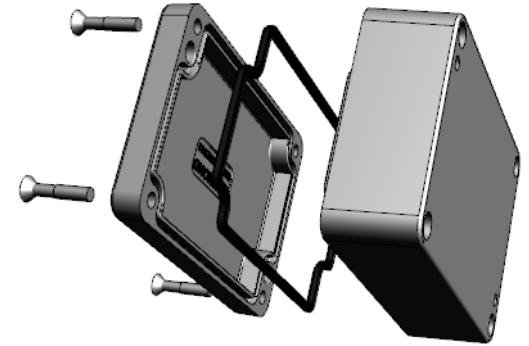


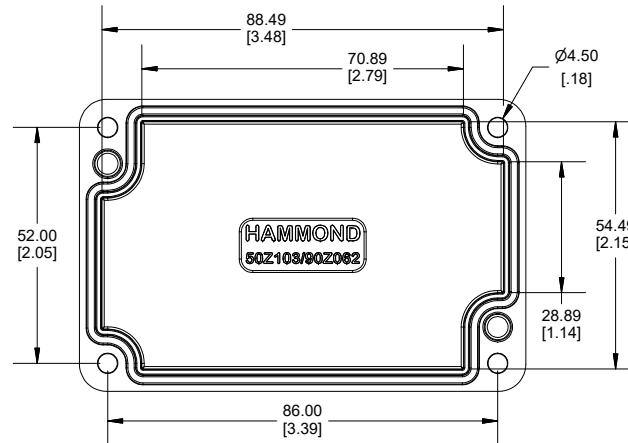
TOP VIEW



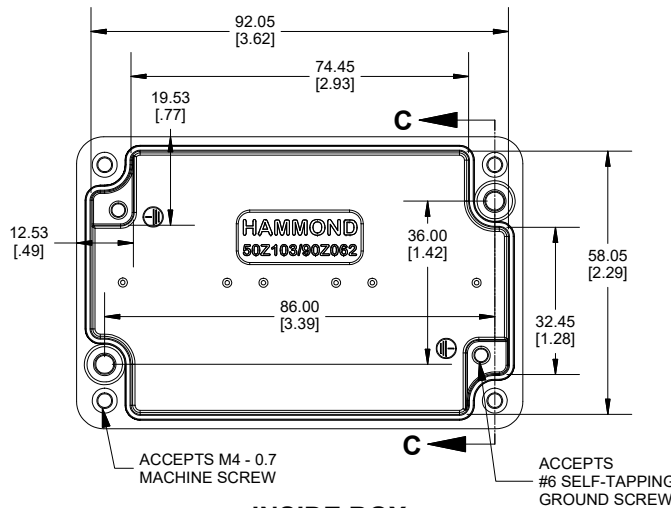
SECTION A-A
END VIEW



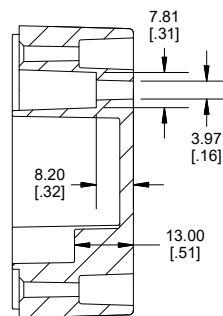
SECTION B-B
SIDE VIEW



INSIDE LID



INSIDE BOX



SECTION C-C
MOUNTING HOLE



Enclosures can be Factory Modified (Milling, Drilling, Printing etc.)
 Contact Factory (modshop@hammfg.com) for quotes
 Solid models of this enclosure available in .stp or .x_t
 (Part number and text placement/orientation on our products are subject to change,
 we do not recommend using them as a locating reference for modification purposes)

NOTE
 Purchased assembly includes box, lid, silicone gasket,
 4 cover screws and 2 ground screws with washers.
 Box and lid are made from Diecast Aluminum Alloy.

Recommended cover screw Torque 6.6-8.8 lbf.in (75-100 cN.m)

1590Z062	
1590Z062 Enclosure	
Natural Enclosure	1590Z062
Black Enclosure	1590Z062BK
Grey Enclosure - RAL7001 Gloss	1590Z062GY
ACCESSORIES	
Pre-Formed Silicone Gasket (2 Pack)	1590Z062G
Ground Hardware (50 Pack) [Copper #6-32X5/16 Self-Tapping / #6 Bronze lock Washer]	SCG060-50
Stainless Steel Cover screws (50 pkg) [M4 - 0.7 x 20mm]	SC1550Z103-50

**HAMMOND
MANUFACTURING®**
1590Z062
 www.hammondmfg.com

Dimensions:
mm
[inches]