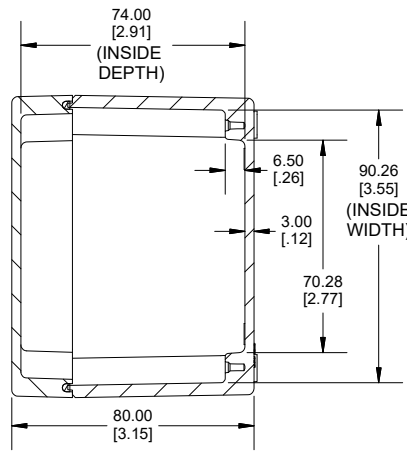
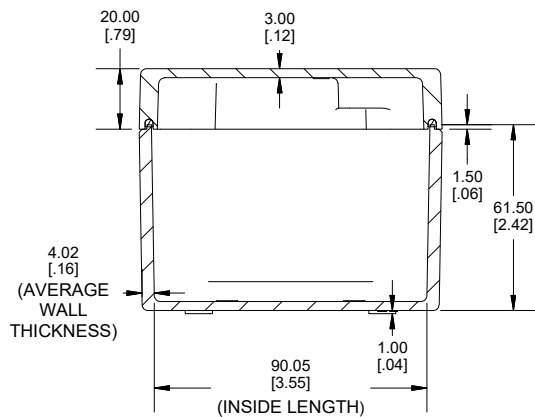
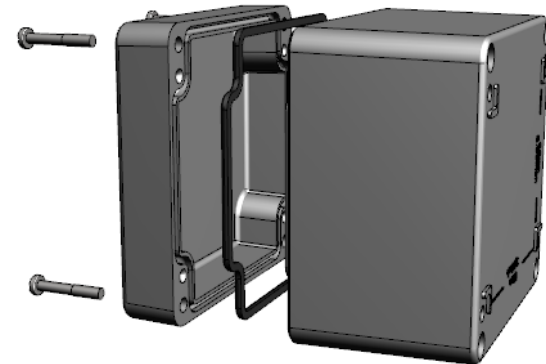


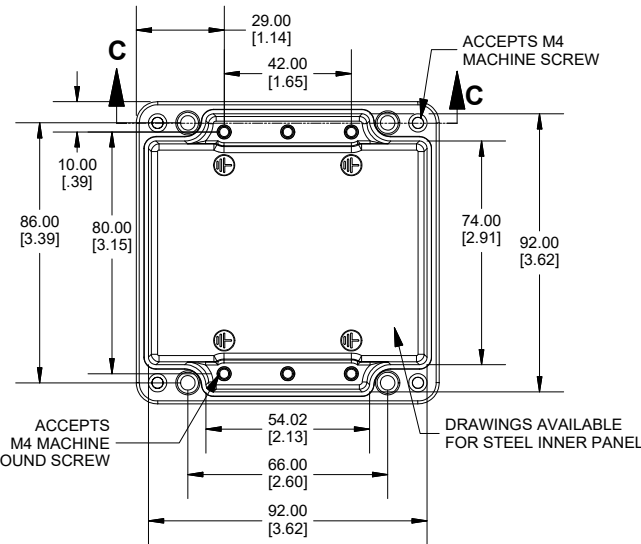
**TOP VIEW**



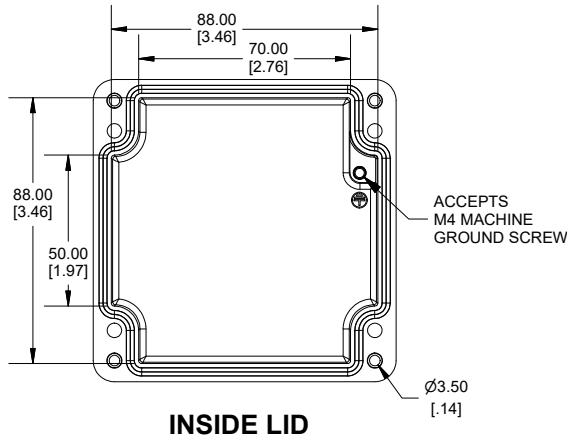
**SECTION A-A  
END VIEW**



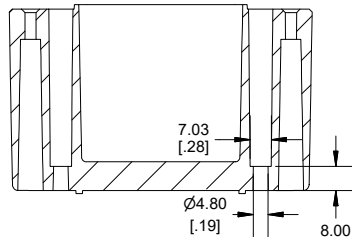
**SECTION B-B  
SIDE VIEW**



**INSIDE BOX**



**INSIDE LID**



**SECTION C-C  
MOUNTING HOLE**

**UL** US LISTED  
FILE #E65324  
NEMA 4, 4X, 6, 6P

Enclosures can be Factory Modified (Milling, Drilling, Printing etc.)  
Contact Factory (modshop@hammfg.com) for quotes  
Solid models of this enclosure available in .stp or .x\_t  
(Part number and text placement/orientation on our products are subject to change,  
we do not recommend using them as a locating reference for modification purposes)

<b>NOTE</b>	
Purchased assembly includes box, lid, silicone gasket, 4 cover screws and 2 ground screws with washers. Box and lid are made from Diecast Aluminum Alloy.	
<b>Recommended cover screw Torque 8.9-10.6 lbf.in (100 -120 cN.m)</b>	
<b>1590Z080</b>	
<b>1590Z080 Enclosure</b>	
Natural Enclosure	1590Z080
Black Enclosure	1590Z080BK
Grey Enclosure - RAL7001 Gloss	1590Z080GY
<b>ACCESSORIES</b>	
Steel Inner Panel	1590Z080PL
Pre-Formed Silicone Gasket (2 Pack)	1590Z080G
Copper Ground Hardware (50 Pack) [M4 - 0.7 X 6mm / M4 Washer]	SCGM4-50
Stainless Steel Cover screws (50 pkg) [M4 - 0.7 x 20mm]	SC576-50

**Dimensions:**  
mm  
[inches]

**HAMMOND  
MANUFACTURING®**  
**1590Z080**  
www.hammondmfg.com