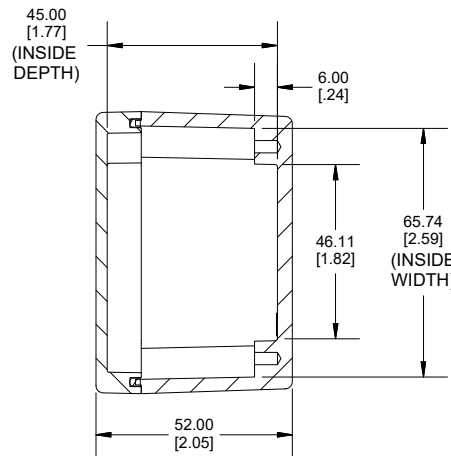
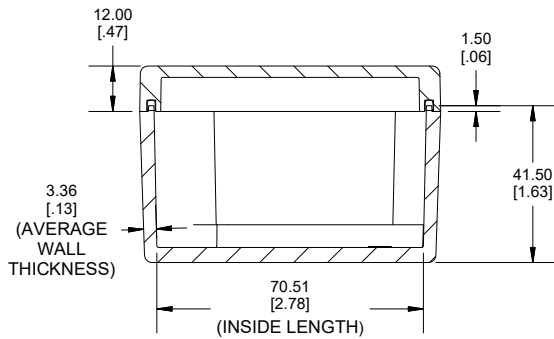
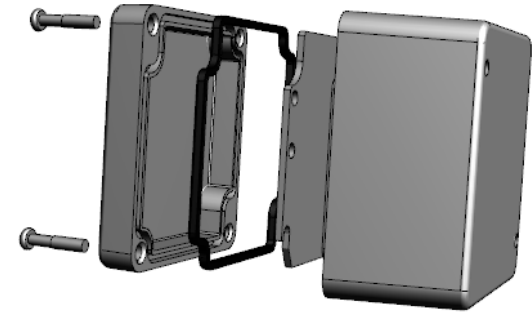


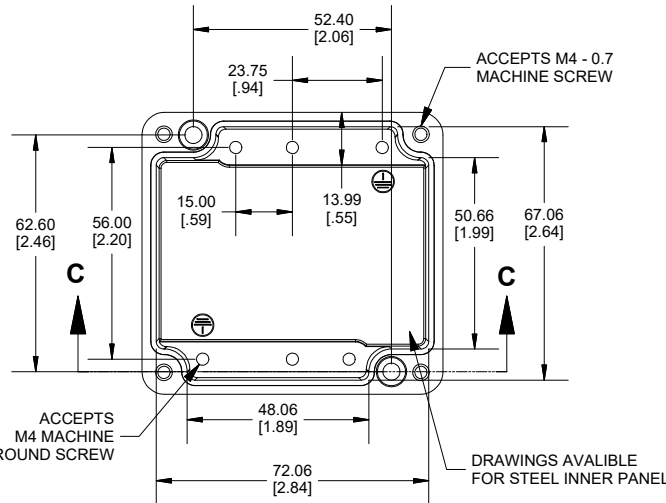
TOP VIEW



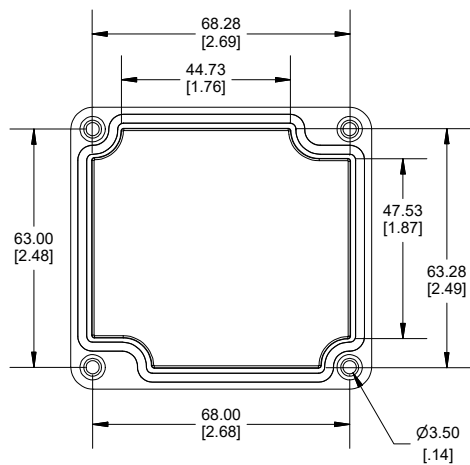
**SECTION A-A
END VIEW**



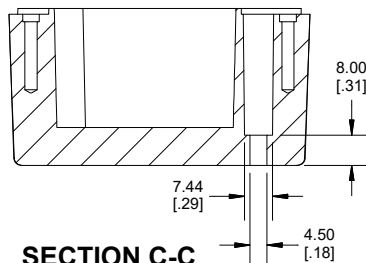
**SECTION B-B
SIDE VIEW**



INSIDE BOX



INSIDE LID



**SECTION C-C
MOUNTING HOLE**



Enclosures can be Factory Modified (Milling, Drilling, Printing etc.)
 Contact Factory (modshop@hammfg.com) for quotes
 Solid models of this enclosure available in .stp or .x_t
 (Part number and text placement/orientation on our products are subject to change,
 we do not recommend using them as a locating reference for modification purposes)

NOTE
 Purchased assembly includes box, lid, silicone gasket,
 4 cover screws and 2 ground screws with washers.
 Box and lid are made from Diecast Aluminum Alloy.

Recommended cover screw Torque 6.6-8.8 lbf.in (75-100 cN.m)

1590Z100	
1590Z100 Enclosure	
Natural Enclosure	1590Z100
Black Enclosure	1590Z100BK
Grey Enclosure - RAL7001 Gloss	1590Z100GY
ACCESSORIES	
Steel Inner Panel	1590Z100PL
Pre-Formed Silicone Gasket (2 Pack)	1590Z100G
Copper Ground Hardware (50 Pack) [M4 - 0.7 X 6mm / M4 Washer]	SCGM4-50
Stainless Steel Cover screws (50 pkg) [M4 - 0.7 x 20mm PN]	SCS76-50

Dimensions:
 mm
 [inches]

**HAMMOND
MANUFACTURING.**

1590Z100

www.hammondmfg.com