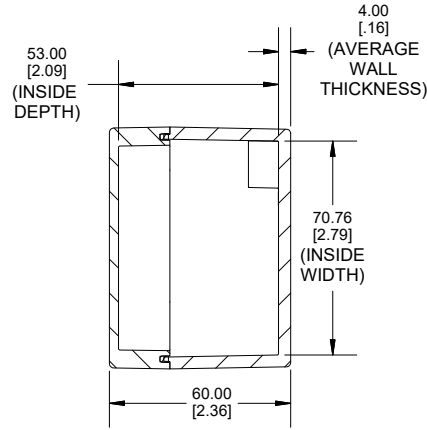
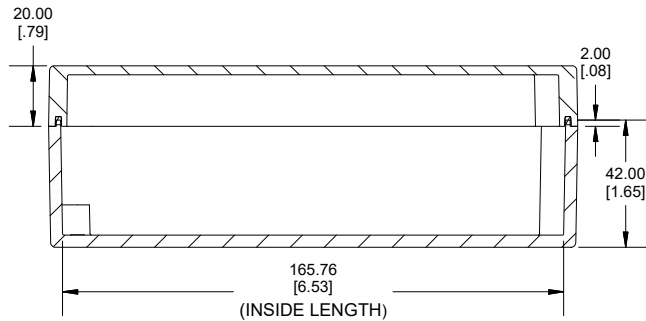
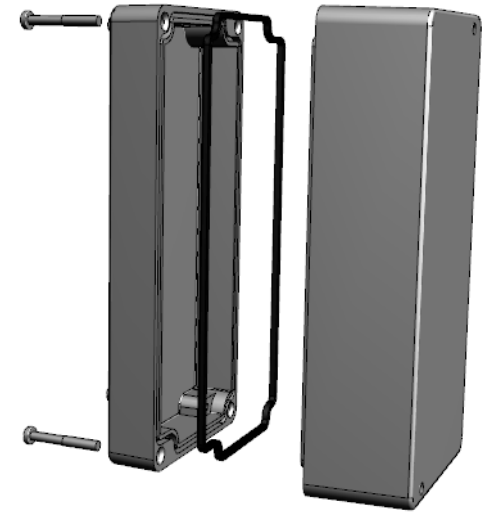


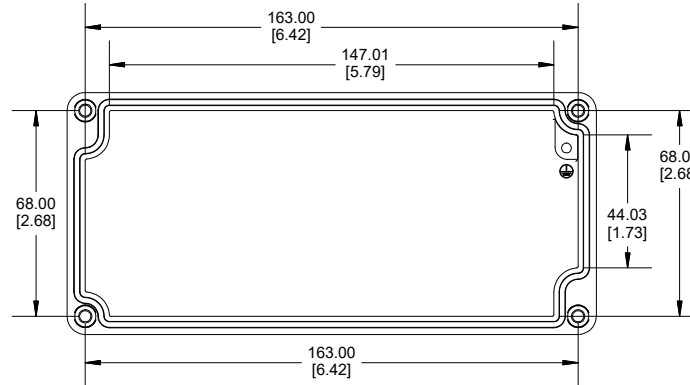
**TOP VIEW**



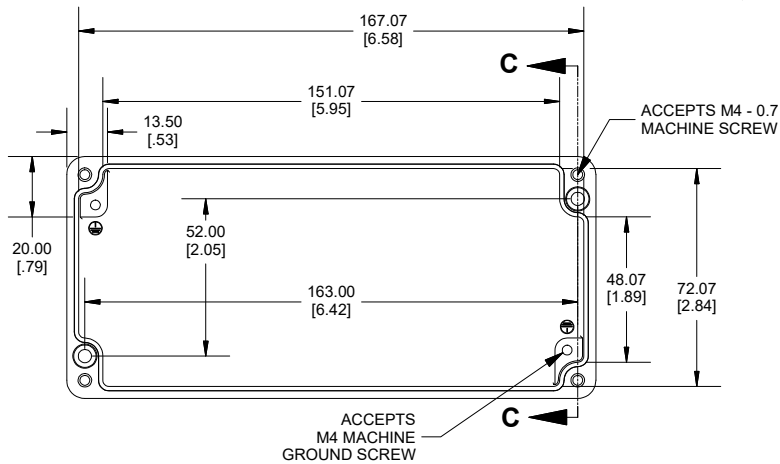
**SECTION A-A  
END VIEW**



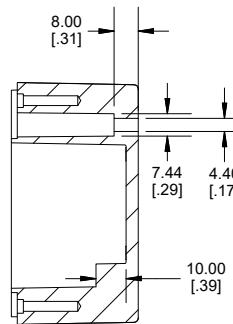
**SECTION B-B  
SIDE VIEW**



**INSIDE LID**



**INSIDE BOX**



**SECTION C-C  
MOUNTING HOLE**



Enclosures can be Factory Modified (Milling, Drilling, Printing etc.)  
 Contact Factory (modshop@hammfg.com) for quotes  
 Solid models of this enclosure available in .stp or .x\_t  
 (Part number and text placement/orientation on our products are subject to change,  
 we do not recommend using them as a locating reference for modification purposes)

NOTE	
Purchased assembly includes box, lid, silicone gasket, 4 cover screws and 3 ground screws with washers. Box and lid are made from Diecast Aluminum Alloy.	
Recommended cover screw Torque 6.6-8.8 lbf.in (75-100 cN.m)	

1590Z135	
1590Z135 Enclosure	
Natural Enclosure	1590Z135
Black Enclosure	1590Z135BK
Grey Enclosure - RAL7001 Gloss	1590Z135GY
ACCESSORIES	
Pre-Formed Silicone Gasket (2 Pack)	1590Z130G
Copper Ground Hardware (50 Pack) [M4 - 0.7 X 6mm / M4 Washer]	SCGM4-50
Stainless Steel Cover screws (30 pkg) [M4 - 0.7 x 30mm]	SC574-30

**HAMMOND  
MANUFACTURING®**  
**1590Z135**  
 www.hammondmfg.com

Dimensions:  
 mm  
 [inches]