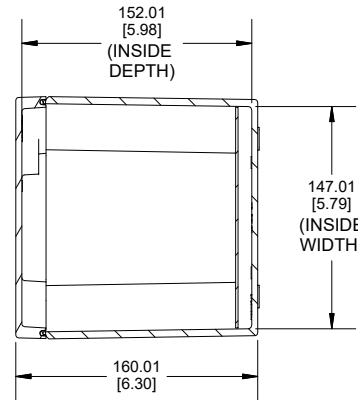
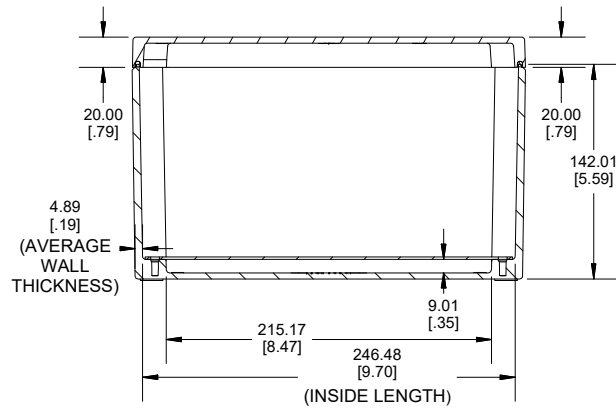
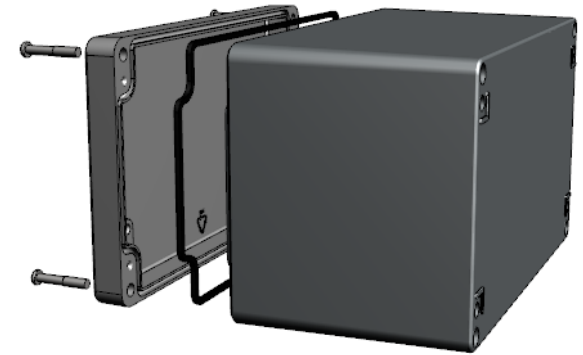


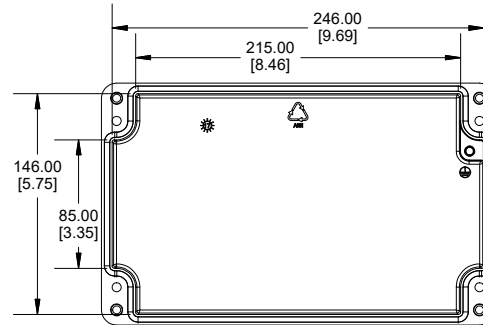
TOP VIEW



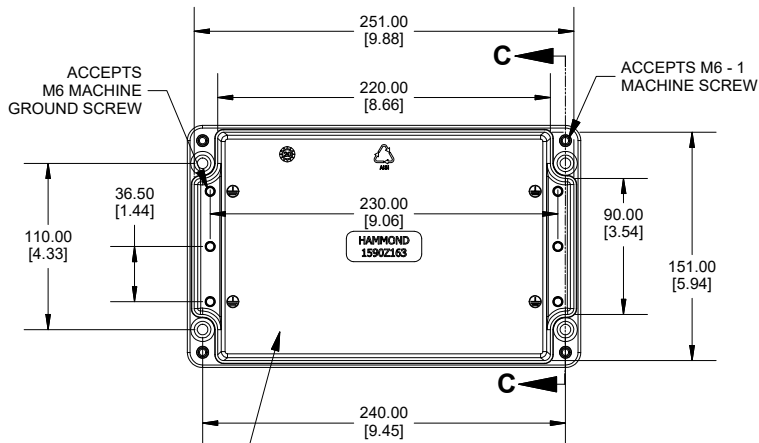
SECTION A-A
END VIEW



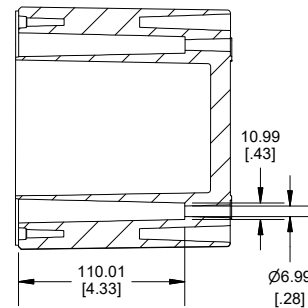
SECTION B-B
SIDE VIEW



INSIDE LID



INSIDE BOX



SECTION C-C
MOUNTING HOLE

UL US LISTED
FILE #E65324
NEMA 4, 4X, 6, 6P

Enclosures can be Factory Modified (Milling, Drilling, Printing etc.)
Contact Factory (modshop@hammfg.com) for quotes
Solid models of this enclosure available in .stp or .x_t
(Part number and text placement/orientation on our products are subject to change,
we do not recommend using them as a locating reference for modification purposes)

NOTE

Purchased assembly includes box, lid, silicone gasket,
4 cover screws and 4 ground screws with washers.
Box and lid are made from Diecast Aluminum Alloy.

Recommended cover screw Torque 15-17 lbf.in (150 -170 cN.m)

1590Z163

1590Z163 Enclosure

Natural Enclosure	1590Z163
Black Enclosure	1590Z163BK
Grey Enclosure - RAL7001 Gloss	1590Z163GY

ACCESSORIES

Steel Inner Panel	1590Z163PL
Pre-Formed Silicone Gasket (2 Pack)	1590Z162G
Copper Ground Hardware (20 Pack) [M6 - 1.0 X 10mm / M6 Washer]	SCGM6-20
Stainless Steel Cover screws (12 pkg) [M6 - 1.0 x 35mm]	SC564-12

**HAMMOND
MANUFACTURING.**
1590Z163
www.hammondmfg.com

Dimensions:
mm
[inches]

DRAWINGS AVAILABLE
FOR STEEL INNER PANEL